

Installation, Operation, and Maintenance

Split System Air Conditioners Odyssey™

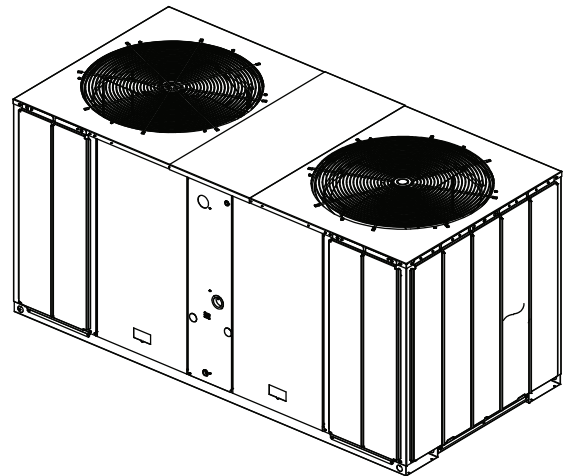
Heat Pump Condenser — 5 to 20 Tons

(60 Hz)

TWA0724*A
TWA0724*D
TWA0904*A
TWA0904*D
TWA1204*A
TWA1204*D
TWA1804*D
TWA2404*D

(50 Hz)

TWA0604DA
TWA0604DD
TWA0764DA
TWA0764DD
TWA1014DA
TWA1014DD
TWA1564DD
TWA2014DD



▲ SAFETY WARNING

Only qualified personnel should install and service the equipment. The installation, starting up, and servicing of heating, ventilating, and air-conditioning equipment can be hazardous and requires specific knowledge and training. Improperly installed, adjusted or altered equipment by an unqualified person could result in death or serious injury. When working on the equipment, observe all precautions in the literature and on the tags, stickers, and labels that are attached to the equipment.

July 2018

SSP-SVX14J-EN

 Ingersoll Rand.

Introduction

Read this manual thoroughly before operating or servicing this unit.

Warnings, Cautions, and Notices

Safety advisories appear throughout this manual as required. Your personal safety and the proper operation of this machine depend upon the strict observance of these precautions.

The three types of advisories are defined as follows:



Indicates a potentially hazardous situation which, if not avoided, could result in death or serious injury.



Indicates a potentially hazardous situation which, if not avoided, could result in minor or moderate injury. It could also be used to alert against unsafe practices.

NOTICE

Indicates a situation that could result in equipment or property-damage only accidents.

Important Environmental Concerns

Scientific research has shown that certain man-made chemicals can affect the earth's naturally occurring stratospheric ozone layer when released to the atmosphere. In particular, several of the identified chemicals that may affect the ozone layer are refrigerants that contain Chlorine, Fluorine and Carbon (CFCs) and those containing Hydrogen, Chlorine, Fluorine and Carbon (HCFCs). Not all refrigerants containing these compounds have the same potential impact to the environment. Trane advocates the responsible handling of all refrigerants-including industry replacements for CFCs and HCFCs such as saturated or unsaturated HFCs and HCFCs.

Important Responsible Refrigerant Practices

Trane believes that responsible refrigerant practices are important to the environment, our customers, and the air conditioning industry. All technicians who handle refrigerants must be certified according to local rules. For the USA, the Federal Clean Air Act (Section 608) sets forth the requirements for handling, reclaiming, recovering and recycling of certain refrigerants and the equipment that is used in these service procedures. In addition, some states or municipalities may have additional requirements that must also be adhered to for responsible management of refrigerants. Know the applicable laws and follow them.

⚠ WARNING

Proper Field Wiring and Grounding Required!

Failure to follow code could result in death or serious injury.

All field wiring **MUST** be performed by qualified personnel. Improperly installed and grounded field wiring poses **FIRE** and **ELECTROCUTION** hazards. To avoid these hazards, you **MUST** follow requirements for field wiring installation and grounding as described in **NEC** and your local/state/national electrical codes.

⚠ WARNING

Personal Protective Equipment (PPE) Required!

Failure to wear proper PPE for the job being undertaken could result in death or serious injury. Technicians, in order to protect themselves from potential electrical, mechanical, and chemical hazards, **MUST** follow precautions in this manual and on the tags, stickers, and labels, as well as the instructions below:

- Before installing/servicing this unit, technicians **MUST** put on all PPE required for the work being undertaken (Examples; cut resistant gloves/sleeves, butyl gloves, safety glasses, hard hat/bump cap, fall protection, electrical PPE and arc flash clothing). **ALWAYS** refer to appropriate Material Safety Data Sheets (MSDS)/Safety Data Sheets (SDS) and OSHA guidelines for proper PPE.
- When working with or around hazardous chemicals, **ALWAYS** refer to the appropriate MSDS/SDS and OSHA/GHS (Global Harmonized System of Classification and Labelling of Chemicals) guidelines for information on allowable personal exposure levels, proper respiratory protection and handling instructions.
- If there is a risk of energized electrical contact, arc, or flash, technicians **MUST** put on all PPE in accordance with OSHA, NFPA 70E, or other country-specific requirements for arc flash protection, **PRIOR** to servicing the unit. **NEVER PERFORM ANY SWITCHING, DISCONNECTING, OR VOLTAGE TESTING WITHOUT PROPER ELECTRICAL PPE AND ARC FLASH CLOTHING. ENSURE ELECTRICAL METERS AND EQUIPMENT ARE PROPERLY RATED FOR INTENDED VOLTAGE.**

⚠ WARNING**Follow EHS Policies!**

Failure to follow instructions below could result in death or serious injury.

- All Ingersoll Rand personnel must follow Ingersoll Rand Environmental, Health and Safety (EHS) policies when performing work such as hot work, electrical, fall protection, lockout/tagout, refrigerant handling, etc. All policies can be found on the [BOS site](#). Where local regulations are more stringent than these policies, those regulations supersede these policies.
- Non-Ingersoll Rand personnel should always follow local regulations.

⚠ WARNING**Refrigerant under High Pressure!**

Failure to follow instructions below could result in an explosion which could result in death or serious injury or equipment damage.

System contains refrigerant under high pressure. Recover refrigerant to relieve pressure before opening the system. See unit nameplate for refrigerant type. Do not use non-approved refrigerants, refrigerant substitutes, or refrigerant additives.

⚠ WARNING**Explosion Hazard!**

Failure to follow instructions below could result in an explosion which could result in death or serious injury, and equipment damage.

NEVER bypass system safeties in order to pump down the unit component's refrigerant into the microchannel heat exchanger (MCHE) coil. Do **NOT** depress the compressor contactor since it effectively bypasses the high-pressure control.

Copyright

This document and the information in it are the property of Trane, and may not be used or reproduced in whole or in part without written permission. Trane reserves the right to revise this publication at any time, and to make changes to its content without obligation to notify any person of such revision or change.

Trademarks

All trademarks referenced in this document are the trademarks of their respective owners.

Revision History

- Configure to Order model number structure has been released and is now reflected in the model structure. All referenced model numbers have been updated to reflect this.
- Wiring matrix has been updated.
- Please note the Installation checklist has been moved to the Pre-Installation section.
- Minor running edits included.

Table of Contents

Model Number Description	6	Evaporator Defrost Control (EDC)	28
Heat Pump Condenser	6	Low Pressure Cut-Out (LPCO)	28
General Information	7	High Pressure Cut-Out (HPCO)	28
Unit Description	7	Internal Overload Protector (IOL)	28
Pre-Installation	8	Startup	29
Unit Inspection	8	ReliaTel™ Controls	29
Inspection Checklist	8	Terminology	29
Testing for Leaks	8	Functions and Features	29
Lifting Recommendations	8	Service Test Modes for ReliaTel™	
Clearances	8	Controls	34
Unit Mounting	9	Test Modes	34
Structural Preparation	9	Step Test Mode	34
Rooftop Mounting	9	Resistance Test Mode	34
Ground Level Mounting	9	Auto Test Mode	34
Snow Belt Recommendations	9	Troubleshooting	35
Installation Checklist	9	Troubleshooting ReliaTel™	
Refrigerant Piping	10	Controls	35
Electrical Wiring	10	System Status Checkout Procedure	35
Dimensional Data	11	Method 1	35
Weights	17	Method 2	36
Heat Pump Condenser	17	Temperature Tests	36
Installation	18	Test 1 - Zone Temperature	
Refrigerant Piping Guidelines	18	Thermistor (ZTEMP)	36
Refrigerant Piping Procedures (Outdoor		Test 2 - Cooling Set Point (CSP) and	
Units)	19	Heating Set Point (HSP)	36
Refrigerant Piping Procedures (Indoor		Test 3 - System Mode and Fan	
Unit)	20	Selection	37
Leak Check	20	Test 4 - LED Indicator Test (SYS ON,	
System Evacuation	21	HEAT, & COOL)	37
Insulating and Isolating Refrigerant		Programmable & Digital Zone Sensor	
Lines	21	Test	37
Refrigerant Charging Procedure	21	Testing Serial Communication	
Charging Levels	22	Voltage	37
Liquid Charging	23	RLCI Loss of Communications	38
Electrical Wiring	23	Resetting Cooling and Heating	
Unit Power Supply	24	Lockouts	38
Low Voltage Wiring	24	Method 1	38
ReliaTel Controls	24	Method 2	38
Field Wiring	25	Zone Temperature Sensor (ZTS) Service	
Refrigerant Circuit	26	Indicator	38
Pre-Start	28	Maintenance	39
Control Circuit Features	28	Monthly	39
Discharge Temperature Limit		Annually (Cooling Season)	39
(DTL)	28	Coil Cleaning	39
		Tube and Fin	39

Maintenance Log	41	Basic Warranty	43
Wiring Diagram Matrix	42	Exclusions and Limitations	43
Warranty	43	Commercial Equipment Rated 20 Tons and Larger and Related Accessories (Parts Only)	43
For Commercial Unitary Equipment Rated Under 20 Tons and Related Accessories	43	Exclusions And Limitations.....	44

Model Number Description

Heat Pump Condenser

Digit 1–3 – Unit Function

TWA = Split System Heat Pump

Digit 4–6 – Tonnage

060 = 5 Tons (50Hz)
072 = 6 Tons (60Hz)
076 = 6.25 Tons (50Hz)
090 = 7.5 Tons (60Hz)
101 = 8.33 Tons (50Hz)
120 = 10 Tons (60Hz)
156 = 13.0 Tons (50Hz)
180 = 15 Tons (60Hz)
201 = 16.7 Tons (50Hz)
240 = 20 Tons (60Hz)

Digit 7 – Refrigerant

4 = R-410A

Digit 8 – Voltage

3 = 208-230VAC - 3 PH (60Hz)
4 = 460VAC - 3 PH (60Hz)
W = 575VAC - 3 PH (60Hz)
D = 380–415VAC - 3 PH (50Hz)
K = 380VAC - 3 PH (60Hz)

Digit 9 – Refrigeration Circuit/Stage

A = 1 Compressor/1 Line/1 Stage (Single)
D = 2 Compressors/2 Line/2 Stage (Duals)

Digit 10 – Major Design Sequence

A = Rev A

Digit 11 – Minor Design Sequence

B = Rev B

Digit 12–13 – Service Digits

00 = 00

Digit 14 – Efficiency Generation

A = Generation A

Digit 15 – Controls

R = ReliaTel™

Digit 16 – None

0 = None

Digit 17 – Coil Protection

0 = Standard Coil
1 = Standard Coil w/ Hail Guard
2 = Black Epoxy Pre-Coated Condenser Coil (FIN/TUBE)
3 = Black Epoxy Pre-Coated Condenser Coil with Hail Guard (FIN/TUBE)

Digit 18–20 – None

0 = None

Digit 21 – Communications Options

0 = No Option
2 = LonTalk® Communications Interface (LCI)

Digit 22–40 – None

0 = None

General Information

This manual describes proper installation, operation, and maintenance procedures for air-cooled systems. By carefully reviewing the information within this manual and following the instructions, the risk of improper operation and/or component damage will be minimized. It is important that periodic maintenance be performed to help assure trouble free operation. Should equipment failure occur, contact a qualified service organization with qualified, experienced HVAC technicians to properly diagnose and repair this equipment.

Important: *All phases of this installation must comply with the NATIONAL, STATE & LOCAL CODES. In addition to local codes, the installation must conform with National Electric Code -ANSI/NFPA NO. 70 LATEST REVISION.*

Any individual installing, maintaining, or servicing this equipment must be properly trained, licensed and qualified.

Important: *Do not remove the VFD without first contacting technical support! For performance-related questions and diagnostic support in North America call 1-877-872-6363. Any return requires a claim number FIRST. Removal of the VFD prior to this step will void the unit's warranties.*

Installation procedures should be performed in the sequence that they appear in this manual. Do not

destroy or remove the manual from the unit. The manual should remain weather-protected with the unit until all installation procedures are complete.

Note: *It is not the intention of this manual to cover all possible variations in systems that may occur or to provide comprehensive information concerning every possible contingency that may be encountered during an installation. If additional information is required or if specific problems arise that are not fully discussed in this manual, contact your local sales office.*

Use the "Installation Checklist," p. 9 provided in this manual to verify that all necessary installation procedures have been completed. Do not use the checklist as a substitute for reading the information contained in the manual. Read the entire manual before beginning installation procedures.

Unit Description

These condensers come with single and dual compressor options. Single compressor outdoor units feature a single refrigeration circuitry, requiring only one set of refrigerant lines. Dual compressor/dual circuit models give true stand-by protection; if one compressor fails, the second will automatically start-up. During light load conditions, only one compressor will operate to save energy.

Pre-Installation

Unit Inspection

Inspect material carefully for any shipping damage. If damaged, it must be reported to, and claims made against the transportation company. Compare the information that appears on the unit nameplate with ordering and submittal data to ensure the proper unit was shipped. Available power supply must be compatible with electrical characteristics specified on component nameplates. Replace damaged parts with authorized parts only.

Inspection Checklist

To protect against loss due to damage incurred in transit, complete the following checklist upon receipt of the unit.

- Inspect individual pieces of the shipment before accepting the unit. Check for obvious damage to the unit or packing material.
- Inspect the unit for concealed damage before it is stored and as soon as possible after delivery. Concealed damage must be reported within 15 days. If concealed damage is discovered, stop unpacking the shipment. Do not remove damaged material from the receiving location. Take photos of the damage if possible. The owner must provide reasonable evidence that the damage did not occur after delivery.
- Notify the carrier's terminal of damage immediately by phone and by mail. Request an immediate joint inspection of the damage by the carrier and the consignee.
- Notify the sales representative and arrange for repair. Do not repair the unit until the damage is inspected by the carrier's representative.

Testing for Leaks

All units are shipped with a holding charge of nitrogen in each circuit and should be leak tested before installation.

1. Remove the access panel.
2. Locate the liquid line or suction line access valve for each circuit.
3. Install gauges to determine if the circuits are still pressurized. If not, the charge has escaped and should be repaired as required to obtain a leak-free circuit.

Lifting Recommendations

⚠ WARNING

Improper Unit Lift!

Failure to properly lift unit in a LEVEL position could result in unit dropping and possibly crushing operator/technician which could result in death or serious injury, and equipment or property-only damage.

Test lift unit approximately 24 inches (61 cm) to verify proper center of gravity lift point. To avoid dropping of unit, reposition lifting point if unit is not level.

NOTICE

Equipment Damage!

Use spreader bars to prevent straps from damaging the unit. Install the bars between lifting straps, both underneath the unit and above the unit to prevent the straps from crushing the unit cabinet or damaging the finish.

Before preparing the unit for lifting, estimate the approximate center of gravity for lifting safety. Because of placement of internal components, the unit weight may be unevenly distributed. See "Weights," p. 17 for approximate unit weights.

The crated unit can be moved using a forklift of suitable capacity. For lifting the unit, attach lifting straps or slings securely to the lifting holes at each corner (see unit drawings in "Weights," p. 17). Use spreader bars to protect the unit casing from damage. Test lift the unit to determine proper balance and stability.

Clearances

Provide enough space around the unit to allow unrestricted access to all service points. Refer to the "Dimensional Data," p. 11 for unit dimensions and minimum required service and free air clearances. Observe the following points to ensure proper unit operation.

1. Do not install the unit under a low overhang. Condenser discharge must not be restricted—refer to notes in "Dimensional Data drawings," p. 11.
Important: Do not obstruct condenser discharge air. This can result in warm air recirculation through the coil.
2. Do not locate the unit in a position where runoff water can fall into the fan discharge openings.
3. Condenser intake air is supplied from three or four sides of the unit. Adhere to the minimum required clearances given in unit dimensional drawings (see "Dimensional Data," p. 11).

Unit Mounting

⚠ WARNING

Risk of Roof Collapsing!

Failure to ensure proper structural roof support could cause the roof to collapse, which could result in death or serious injury and property damage.

Confirm with a structural engineer that the roof structure is strong enough to support the combined weight of the roof curb, the unit, and any accessories.

Structural Preparation

NOTICE

Roof Damage!

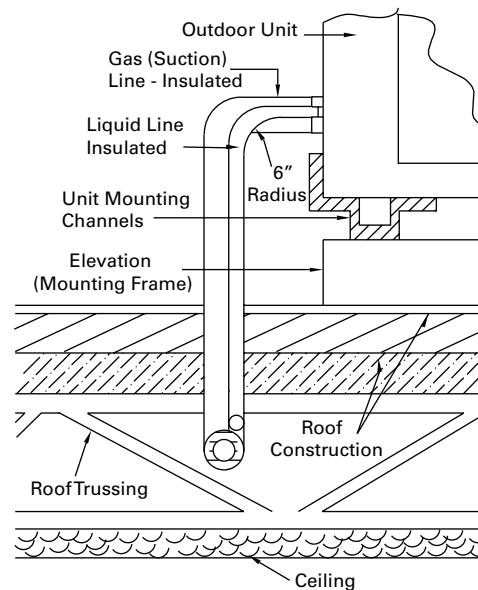
System contains oil and refrigerant under high pressure. Roofs should be protected from exposure to oils and refrigerant in the system. If rooftop is not protected, damage to the roof may occur.

Important: Refer to local building codes for proper installation. All installation must comply with local building codes.

Rooftop Mounting

If the unit will be roof mounted, determine for certain that the structure is strong enough to support the unit and any required accessories, see “Weights,” p. 17. The unit should be elevated on a level, field fabricated four-inch steel or wood 4" x 4" mounting frame. Complete the frame and secure it into position before lifting the unit to the roof. The mounting frame must support a minimum of three of the unit's four sides and should span roof supports to distribute the load on the roof.

Figure 1. Roof mounted unit



Ground Level Mounting

For ground level installation, the unit base should be adequately supported and hold the unit near level. The installation must meet the guidelines set forth in local codes. The support should extend two inches beyond the unit base channels at all points. The unit and support must be isolated from any adjacent structure to prevent possible noise or vibration problems. Any ground level location must comply with required clearances given in the unit dimensional drawings (see “Dimensional Data,” p. 11).

Snow Belt Recommendations

In regions where deep snow is encountered, raise the unit a minimum distance of 8 to 12 inches above the mounting surface. This will reduce the risk of snow blocking the coil and improves runoff of water produced during the defrost cycle. Avoid locating the unit where snow tends to drift. Snow accumulations must be removed from around the unit immediately to prevent drastic efficiency reduction. A snow drift barrier may be constructed around the unit to prevent snow blockage. Clearance between the snow barrier and the unit must comply with the clearances given in “Dimensional Data drawings,” p. 11.

Installation Checklist

Complete this checklist once the unit is installed to verify that all recommended procedures have been accomplished before starting the system. Do not operate the system until all items covered by this checklist are complete.

- Inspect unit location for proper required service clearances.

Pre-Installation

- Inspect unit location for proper free air clearances.
- Inspect unit location for secure, level mounting position.

Refrigerant Piping

- Properly sized/constructed liquid and suction lines connected to stubs at both the indoor and outdoor units?
- Insulated the entire suction line?
- Insulated portions of liquid line exposed to extremes in temperature?
- Performed initial leak test?

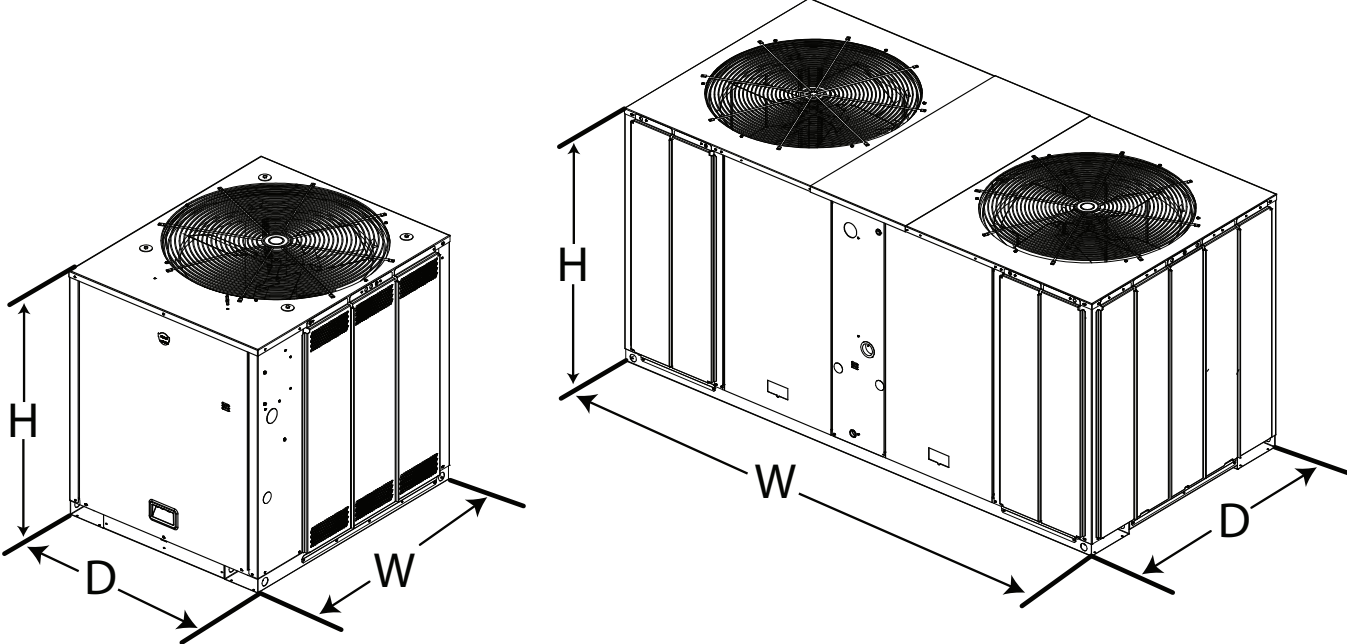
- Evacuated each refrigerant circuit to 500 microns?
- Charged each circuit with proper amount of R-410A?

Electrical Wiring

- Provided unit power wiring (with disconnect) to proper terminals in the unit control section?
- Installed system indoor thermostat?
- Installed system low voltage interconnecting wiring to proper terminals of outdoor unit, indoor unit and system thermostat?

Dimensional Data

Figure 2. Height, width and depth measurements



	H - in. (mm)	W - in. (mm)	D - in. (mm)
TWA0604DA, 0724*A, 0764DA, 0904*A	39.125 (993.8)	42.125 (1070)	36 (914.4)
TWA0604DD, 0724*D, 0764DD, 0904*D	39.125 (993.8)	52.125 (1324)	40 (1016)
TWA1014DA/D, 1204*A/D	45.125 (1146.1)	52.125 (1324)	40 (1016)
TWA1564DD, 1804*D, 2014DD, 2404*D	45.125 (1146.1)	95.5 (2425.7)	45.875 (1165.2)

Dimensional Data

Figure 3. 5, 6, 6.25, 7.5 ton heat pump, single compressor

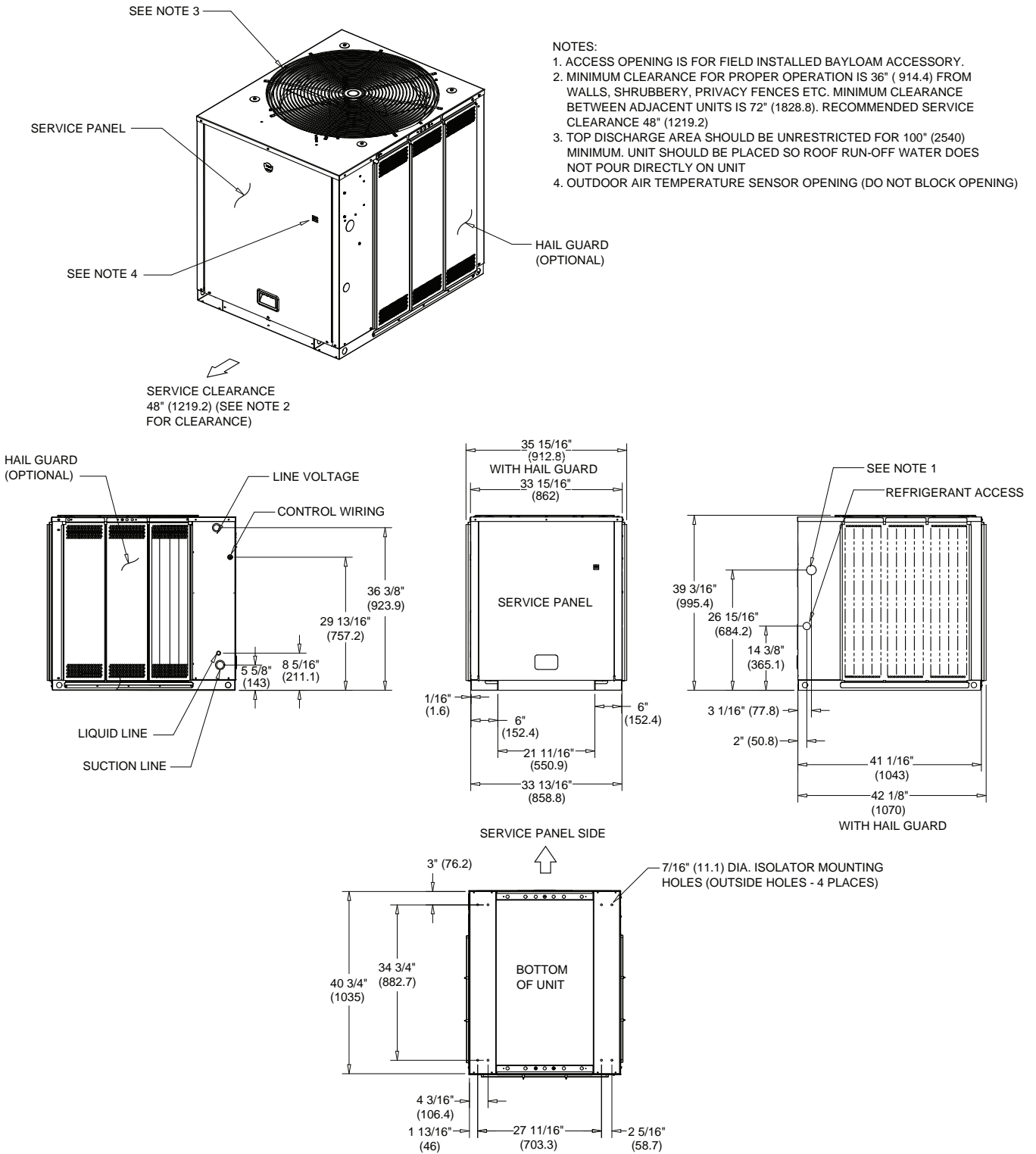
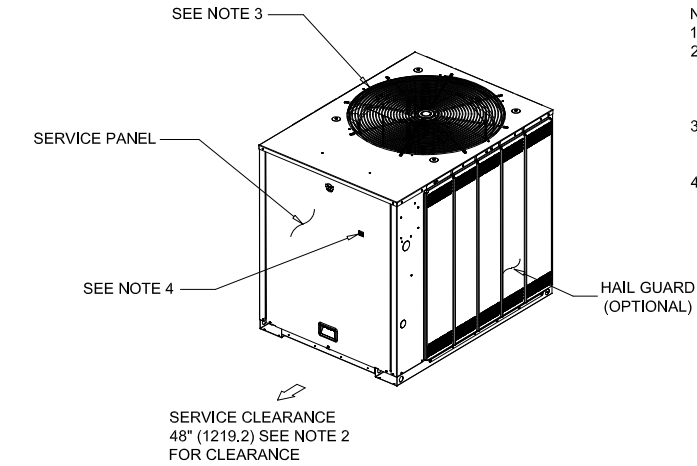
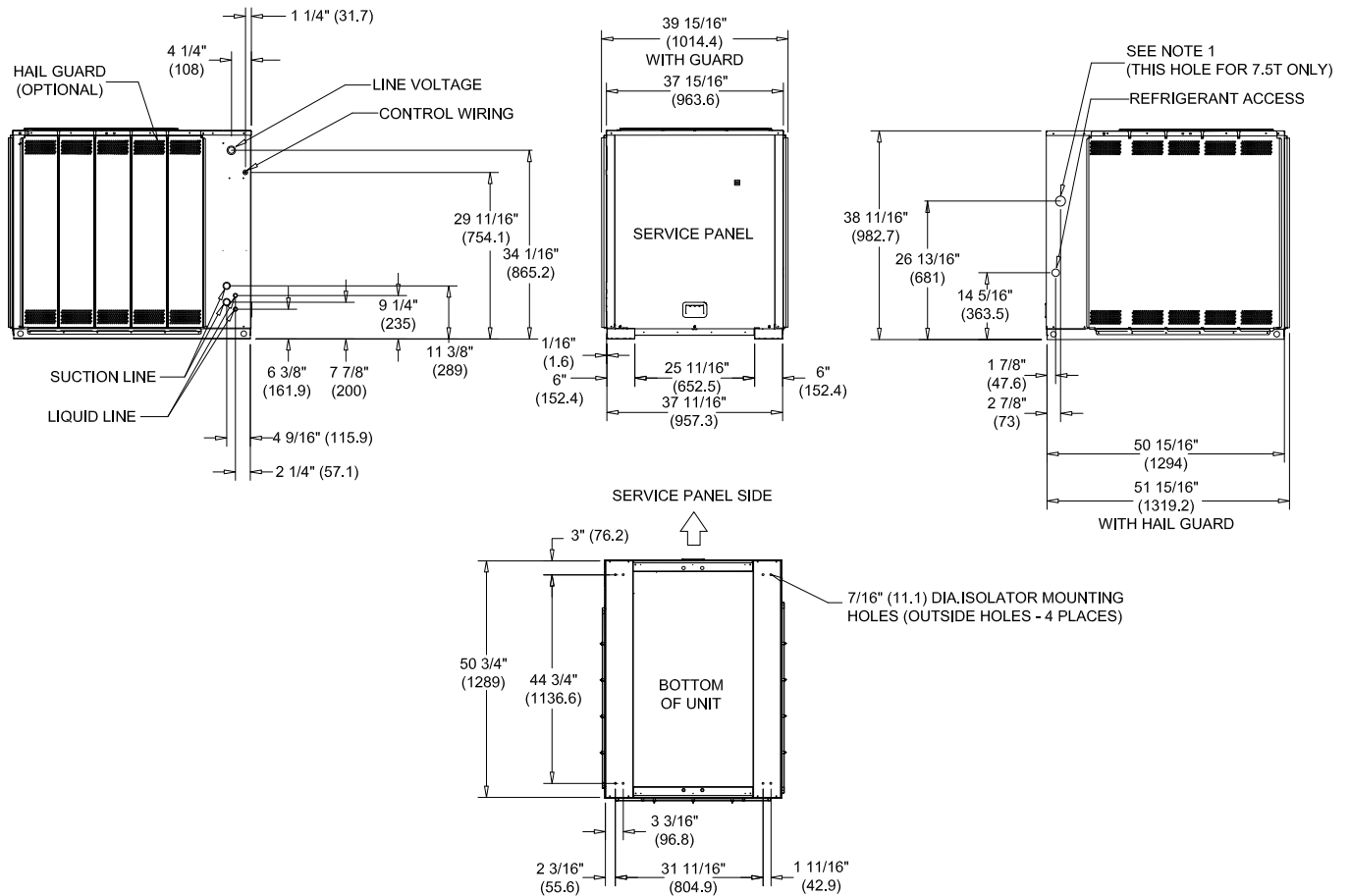


Figure 4. 5, 6, 6.25, 7.5 ton heat pump, dual compressor



NOTES:

1. ACCESS OPENING IS FOR OPTION FIELD INSTALLED ACCESSORY.
2. MINIMUM CLEARANCE FOR PROPER OPERATION IS 36" (914.4) FROM WALLS, SHRUBBERY, PRIVACY FENCES ETC. MINIMUM CLEARANCE BETWEEN ADJACENT UNITS IS 72" (1828.8). RECOMMENDED SERVICE CLEARANCE 48" (1219.2)
3. TOP DISCHARGE AREA SHOULD BE UNRESTRICTED FOR 100" (2540) MINIMUM. UNIT SHOULD BE PLACED SO ROOF RUN-OFF WATER DOES NOT POUR DIRECTLY ON UNIT
4. OUTDOOR AIR TEMPERATURE SENSOR OPENING (DO NOT BLOCK OPENING).



Dimensional Data

Figure 5. 8.33, 10 ton heat pump, single compressor

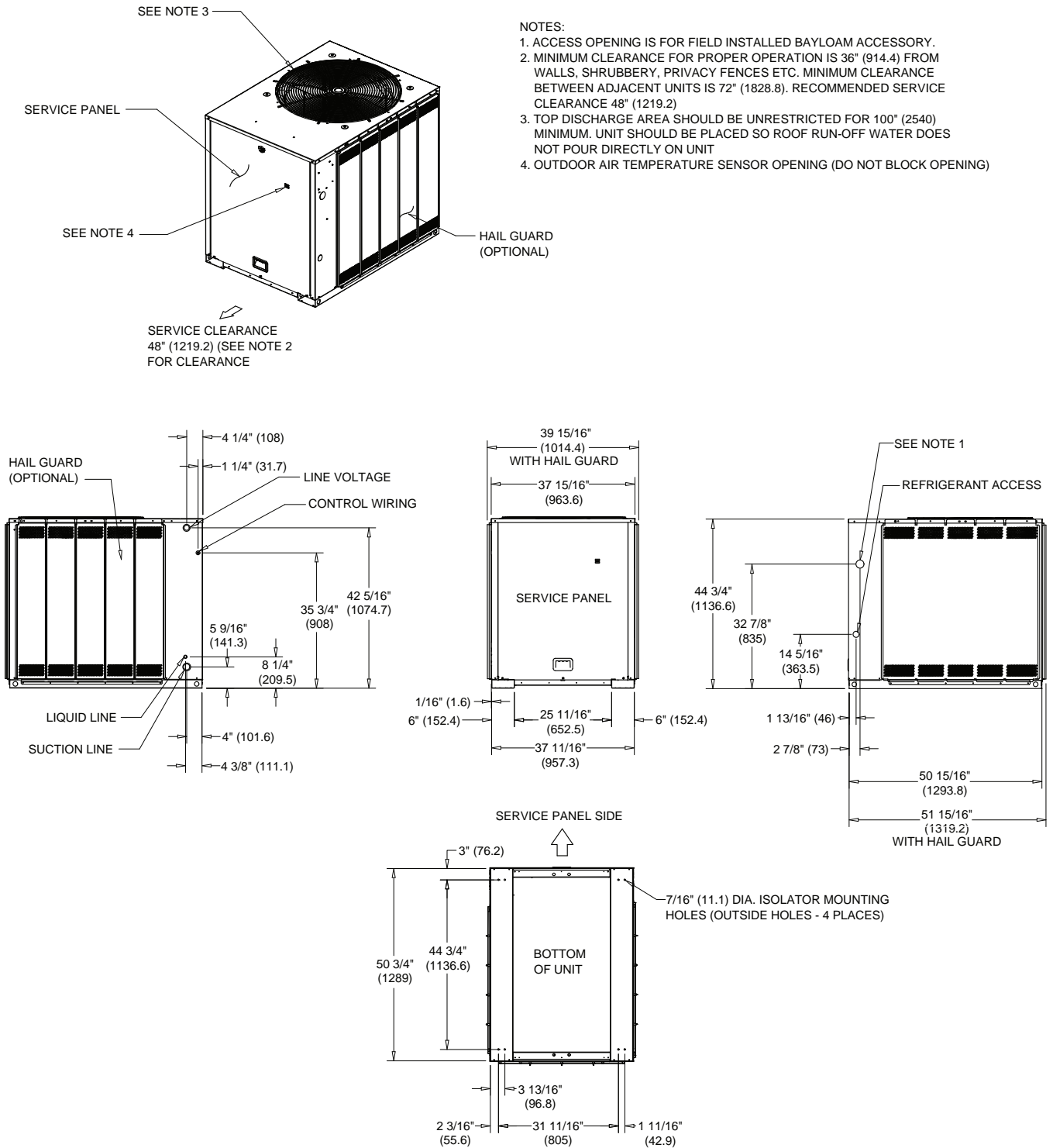
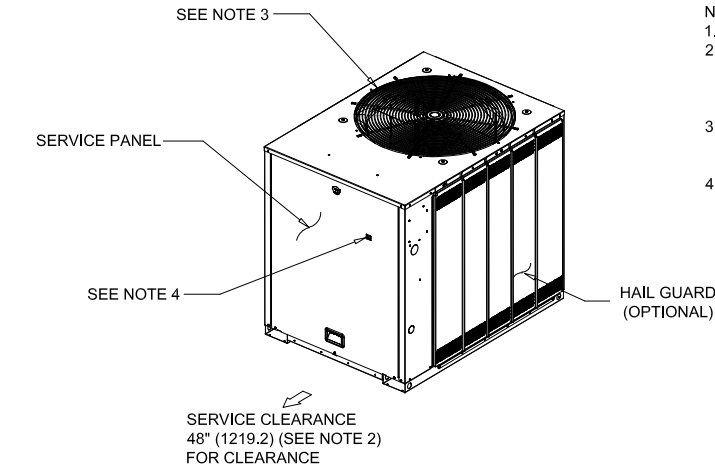
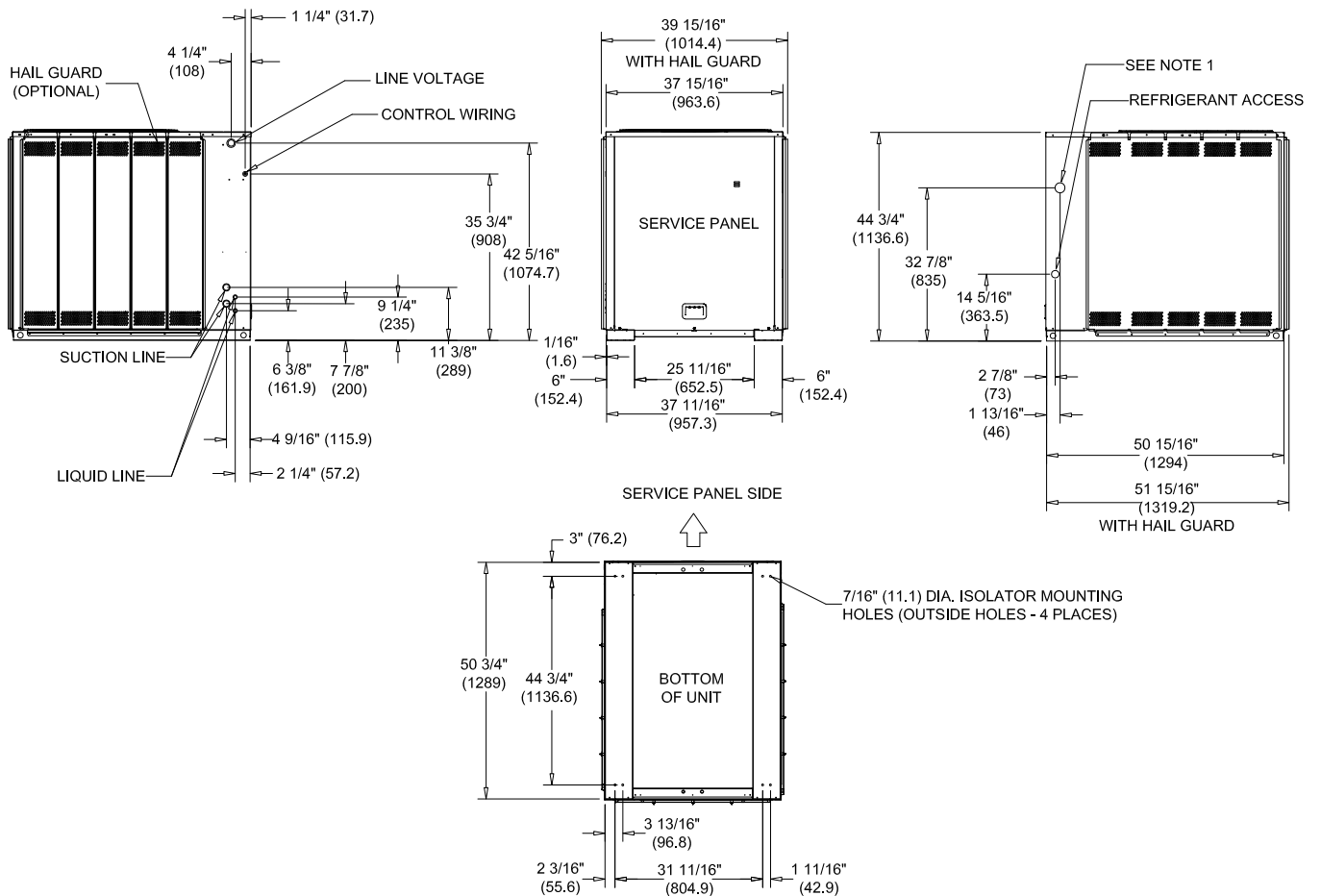


Figure 6. 8.33, 10 ton heat pump, dual compressor



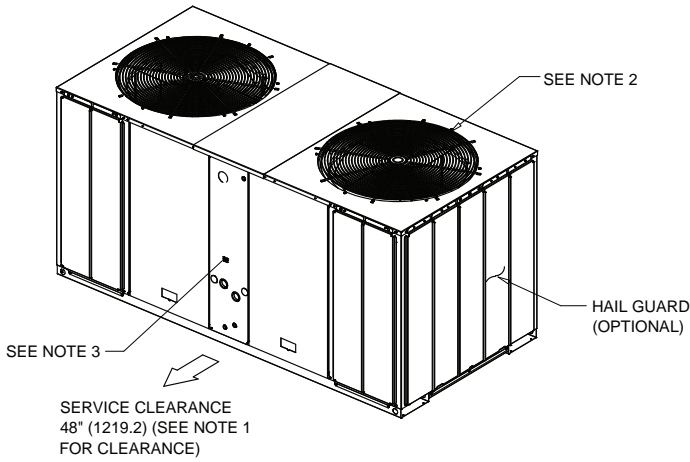
NOTES:

1. ACCESS OPENING IS FOR OPTION FIELD INSTALLED ACCESSORY.
2. MINIMUM CLEARANCE FOR PROPER OPERATION IS 36" (914.4) FROM WALLS, SHRUBBERY, PRIVACY FENCES ETC. MINIMUM CLEARANCE BETWEEN ADJACENT UNITS IS 72"(1828.8). RECOMMENDED SERVICE CLEARANCE 48"(1219.2)
3. TOP DISCHARGE AREA SHOULD BE UNRESTRICTED FOR 100"(2540) MINIMUM. UNIT SHOULD BE PLACED SO ROOF RUN-OFF WATER DOES NOT POUR DIRECTLY ON UNIT
4. OUTDOOR AIR TEMPERATURE SENSOR OPENING (DO NOT BLOCK OPENING).

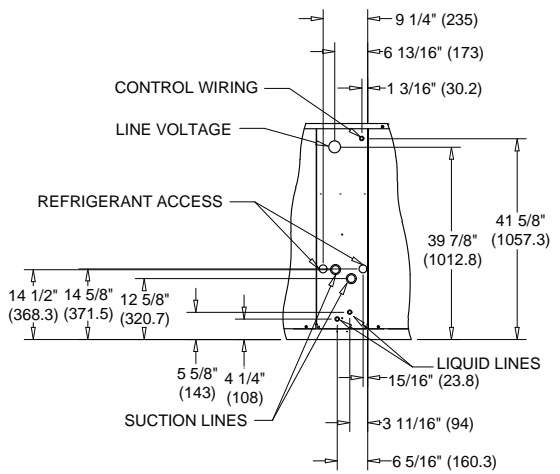
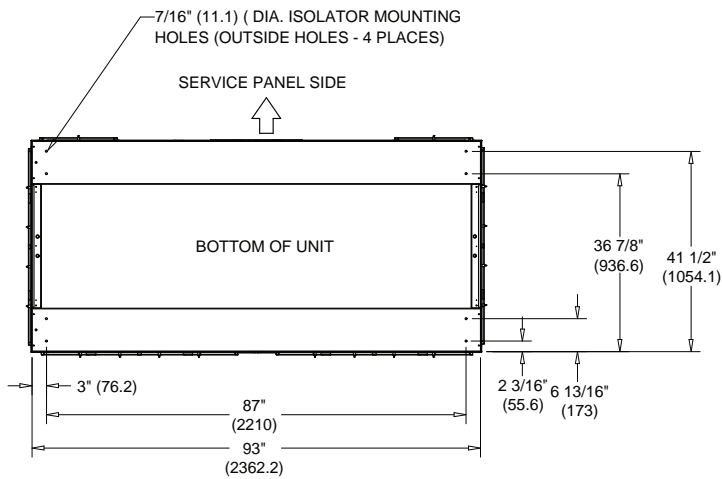
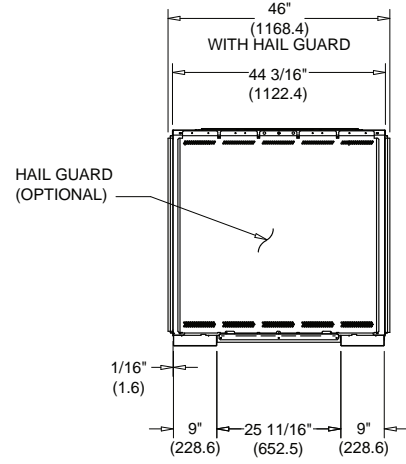
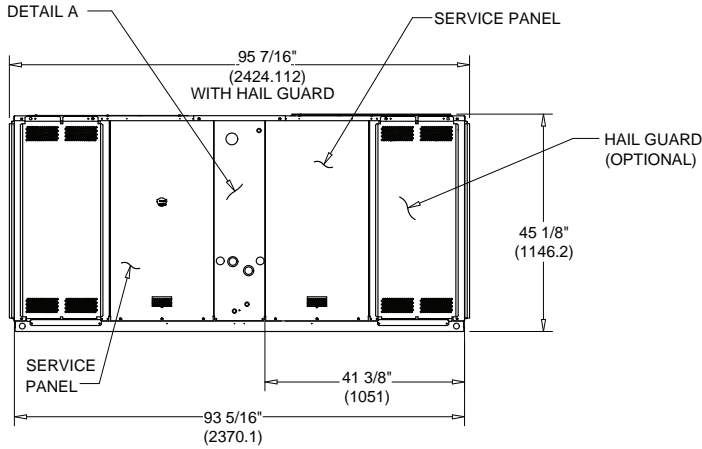


Dimensional Data

Figure 7. 16.7, 20 ton heat pump, dual compressor



- NOTES:**
1. MINIMUM CLEARANCE FOR PROPER OPERATION IS 36" (914.4) FROM WALLS, SHRUBBERY, PRIVACY FENCES ETC. MINIMUM CLEARANCE BETWEEN ADJACENT UNITS IS 72" (1829). RECOMMENDED SERVICE CLEARANCE 48" (1219.2)
 2. TOP DISCHARGE AREA SHOULD BE UNRESTRICTED FOR 100' (2540) MINIMUM. UNIT SHOULD BE PLACED SO ROOF RUN-OFF WATER DOES NOT POUR DIRECTLY ON UNIT
 3. OUTDOOR AIR TEMPERATURE SENSOR OPENING (DO NOT BLOCK OPENING).



FRONT DETAIL A
DIMENSIONAL DETAIL

Weights

Heat Pump Condenser

Table 1. TWA unit and corner weights – lbs (60 Hz)

Tons	Model No.	Shipping Max (lbs)	Net Max (lbs)	Corner Weights			
				1	2	3	4
6	TWA0724*A	360	327	112	83	56	76
	TWA0724*D	413	356	124	84	90	58
7.5	TWA0904*A	382	332	82	117	60	73
	TWA0904*D	466	409	143	96	103	67
10	TWA1204*A	495	466	165	109	116	76
	TWA1204*D	478	435	152	102	109	71
15	TWA1804*D	874	762	235	167	196	164
20	TWA2404*D	1003	845	253	265	147	181

Table 2. TWA unit and corner weights – kg (50 Hz)

Tons	Model No.	Shipping Max (kg)	Net Max (kg)	Corner Weights			
				1	2	3	4
5	TWA0604DA	163	148	50	38	25	34
	TWA0604DD	185	159	54	38	41	26
6.25	TWA0764DA	173	150	37	53	27	33
	TWA0764DD	209	183	63	44	47	30
8.33	TWA1014DA	224	211	74	49	53	34
	TWA1014DD	215	195	67	46	50	32
13	TWA1564DD	395	344	106	75	89	74
16.7	TWA2014DD	453	382	114	120	67	82

Figure 8. TWA072, 090, 120, TWA060, 076, 101

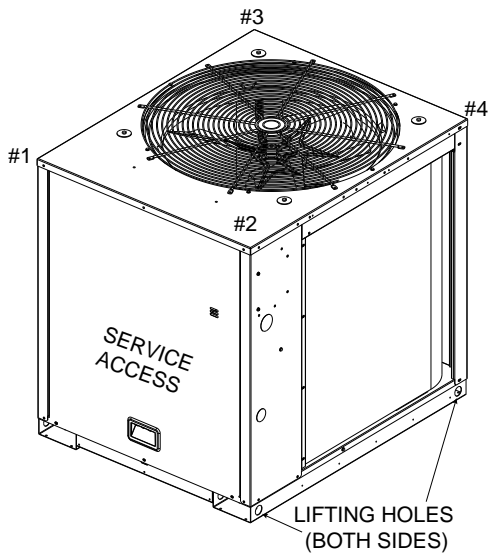
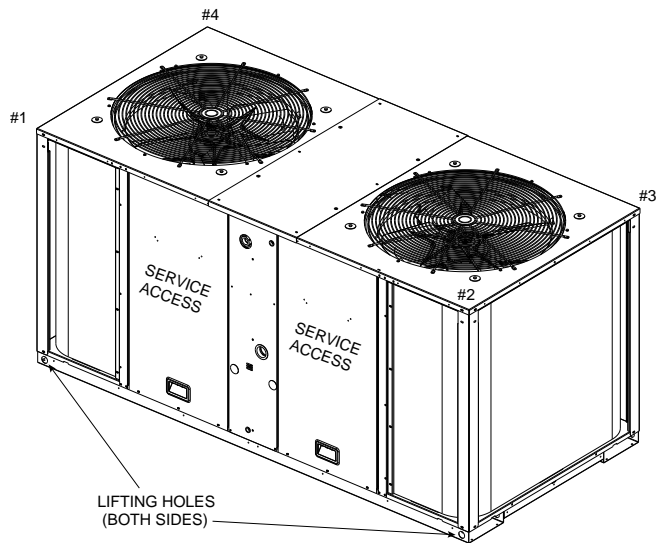


Figure 9. TWA180, 240, TWA156, 201



Installation

Refrigerant Piping Guidelines

Figure 10. Allowable elevation difference: TWA *above* indoor unit

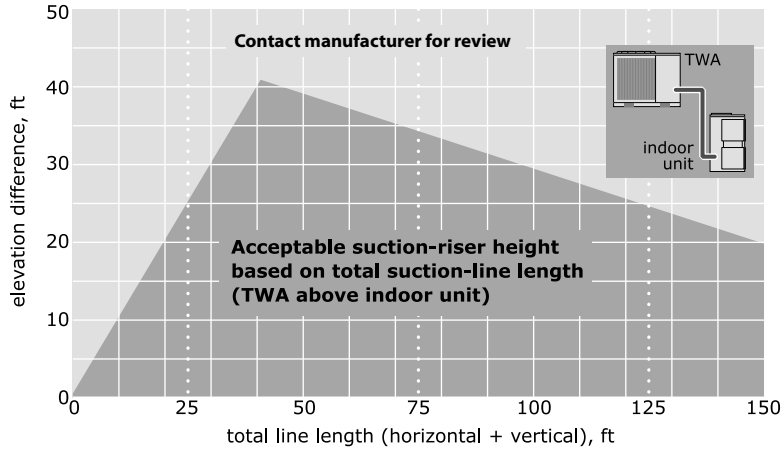
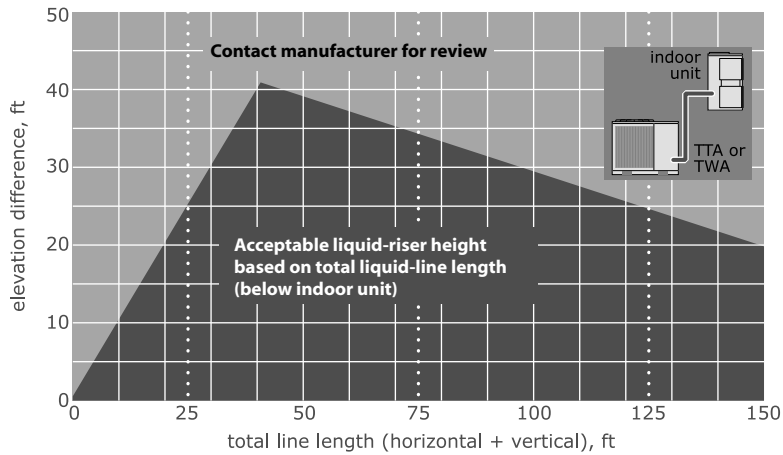


Figure 11. Allowable elevation difference: TTA or TWA *below* indoor unit



Note: Route refrigerant piping for minimum linear length, minimum number of bends and fittings.

Refrigerant Piping Procedures (Outdoor Units)

⚠ WARNING

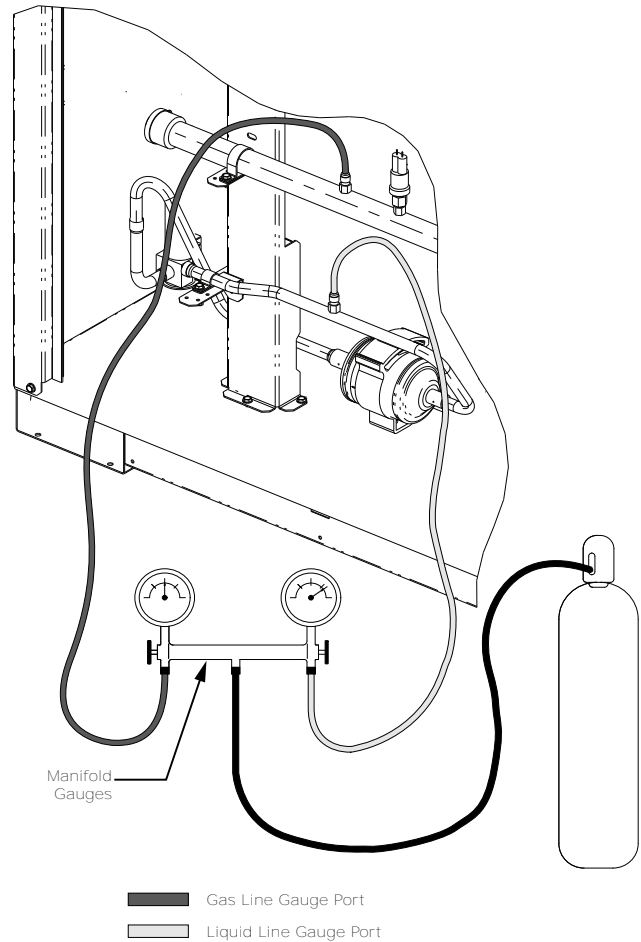
R-410A Refrigerant under Higher Pressure than R-22!

Failure to use proper equipment or components as described below, could result in equipment failing and possibly exploding, which could result in death, serious injury, or equipment damage. The units described in this manual use R-410A refrigerant which operates at higher pressures than R-22. Use ONLY R-410A rated service equipment or components with these units. For specific handling concerns with R-410A, please contact your local Trane representative.

Each unit ships with a holding charge of dry nitrogen. The nitrogen should be removed and the entire system evacuated (at the proper time) to avoid possible contamination.

1. Remove the compressor service access panel.
2. Locate the liquid and suction line access valves. Check that the piping connection stubs (Figure 12, p. 19) line up properly with the holes in the unit cabinet.

Figure 12. Outdoor units - refrigerant piping (with dry nitrogen)



3. Install gauges to determine if the circuits are still pressurized. If not, the charge has escaped and should be repaired as required to obtain a leak-free circuit. If the circuits are still pressurized, use the gauges to slowly release the nitrogen charge to the atmosphere and remove both seal caps from the outdoor unit connection stubs.

NOTICE

System Component Damage!

Do not remove the seal caps from refrigerant connections until prepared to braze refrigerant lines to the connections. Excessive exposure to atmosphere (> 5 min.) may allow moisture or dirt to contaminate the system, damaging valve seals and causing ice formation in system components.

⚠ WARNING

Explosion Hazard and Deadly Gases!

Failure to follow all proper safe refrigerant handling practices could result in death or serious injury.

Never solder, braze or weld on refrigerant lines or any unit components that are above atmospheric pressure or where refrigerant may be present. Always remove refrigerant by following the guidelines established by the EPA Federal Clean Air Act or other state or local codes as appropriate. After refrigerant removal, use dry nitrogen to bring system back to atmospheric pressure before opening system for repairs. Mixtures of refrigerants and air under pressure may become combustible in the presence of an ignition source leading to an explosion. Excessive heat from soldering, brazing or welding with refrigerant vapors present can form highly toxic gases and extremely corrosive acids.

4. Cut, fit and braze tubing, starting at the outdoor unit and work toward the indoor unit. See [“Charging Levels,”](#) p. 22.

Note: Use long radius ells for all 90° bends.

All brazing should be done using a 2 to 3 psig dry nitrogen purge flowing through the pipe being brazed, see [Figure 12,](#) p. 19.

NOTICE

System Component Damage!

Install a regulating valve between the nitrogen source and the gauge manifold. Unregulated pressure can damage system components.

NOTICE

System Component Damage!

Wet-wrap all valves and protect painted surfaces from excessive heat. Heat can damage system components and the unit finish.

5. Shut off nitrogen supply. Shut off the manifold valve for the line that is connected to the suction line access valve. Disconnect the line from the access valve.

Refrigerant Piping Procedures (Indoor Unit)

Once liquid and suction lines are complete to the refrigerant connections on the indoor unit, remove the gauge port core(s) on the indoor unit connection stubs to release the dry nitrogen charge.

NOTICE

Unit Damage!

Do not apply heat to remove seal caps until the gauge port cores have been removed. If seal caps are intact, application of heat may generate excessive pressure in the unit and result in damage to the coil or expansion valve.

1. Remove both seal caps from the indoor unit connection stubs.

NOTICE

Unit Damage!

Do not remove the seal caps from refrigerant connections until prepared to braze refrigerant lines to the connections. Due to the high hygroscopic properties of the R-410A oil, excessive exposure to atmosphere will allow moisture to contaminate the system, damaging the compressor.

2. Turn on nitrogen supply. Nitrogen enters through the liquid line gauge port.
3. Braze the liquid line connections.
4. Open the gauge port on the suction line and then braze the suction line to the connection stub. Nitrogen will bleed out the open gauge port on the suction line.
5. Shut off nitrogen supply.

Leak Check

⚠ WARNING

Explosion Hazard!

Failure to follow these instructions could result in death or serious injury or equipment or property-only damage.

Use only dry nitrogen with a pressure regulator for pressurizing unit. Do not use acetylene, oxygen or compressed air or mixtures containing them for pressure testing. Do not use mixtures of a hydrogen containing refrigerant and air above atmospheric pressure for pressure testing as they may become flammable and could result in an explosion. Refrigerant, when used as a trace gas should only be mixed with dry nitrogen for pressurizing units.

⚠ WARNING

Explosion Hazard!

Failure to follow safe leak test procedures below could result in death or serious injury or equipment or property-only-damage.

Never use an open flame to detect gas leaks. Use a leak test solution for leak testing.

After the brazing operation of refrigerant lines to both the outdoor and indoor unit is completed, the field brazed connections must be checked for leaks. Pressurize the system through the access valve with dry nitrogen to 200 psi. Use soap bubbles or other leak-checking methods to ensure that all field joints are leak free. If not, release pressure, repair and repeat leak test.

System Evacuation

1. After completion of leak check, evacuate the system.
2. Attach appropriate hoses from manifold gauge to gas and liquid line pressure taps.
Note: Unnecessary switching of hoses can be avoided and complete evacuation of all lines leading to sealed system can be accomplished with manifold center hose and connecting branch hose to a cylinder of R-410A and vacuum pump.
3. Attach center hose of manifold gauges to vacuum pump.

NOTICE

Operating Under Vacuum!
Failure to follow these instructions will result in compressor failure.
Do not operate or apply power to the compressor while under a vacuum.

4. Evacuate the system to hold a 500 micron vacuum.
5. Close off valve to vacuum pump and observe the micron gauge. If gauge pressure rises above 500 microns in one minute, then evacuation is incomplete or the system has a leak.
6. If vacuum gauge does not rise above 500 microns in 10 minutes, the evacuation should be complete.

NOTICE

Equipment Damage!
Charge with access port on the liquid line only.

7. With vacuum pump and micron gauge blanked off, open valve on R-410A cylinder and allow refrigerant pressure to build up to about 80 psig.
8. Close valve on the R-410A supply cylinder. Close valves on manifold gauge set and remove refrigerant charging hoses from liquid and gas gauge ports.
9. Leak test the entire system. Using proper procedures and caution, as described in the previous section, repair any leaks found and repeat the leak test.

Insulating and Isolating Refrigerant Lines

Insulate the entire suction line with refrigerant piping insulation. Also insulate any portion of the liquid line exposed to temperature extremes. Insulate and isolate liquid and suction lines from each other. Isolate refrigerant lines from the structure and any duct work.

Important:

1. To prevent possible noise or vibration problems, be certain to isolate refrigerant lines from the building.
2. All suction and hot gas bypass piping (if installed) should be insulated from the termination in the air handler to the condensing unit cabinet entry. Failure to do so can cause condensate drip off and performance degradation.
3. Prior to starting a unit, it is advisable to have the approved oils available in the event oil needs to be added to the system.

NOTICE

Equipment Damage!
This is POE oil, which readily absorbs moisture. Always use new oil and never leave containers open to atmosphere while not in use.

Table 3. TWA approved oils

Unit Model Number	Approved Oils
TWA060, TWA072, TWA0764DA, TWA0764DD, TWA0904*A, TWA0904*D, TWA1014DD, TWA1204*D, TWA156, TWA180, TWA201, TWA240	Trane Oil Part Number OIL00094 (1 quart container)
TWA1014DA, TWA1204*A	Trane Oil Part Number OIL00079 (1 quart container) or OIL00080 (1 gallon container)

For units equipped with compressors containing site glasses, the oil level must be visible through the sight glass when the compressor is running under stabilized conditions and a few minutes after the compressor has stopped.

Refrigerant Charging Procedure

If charging by weight, refer to for starting change. If refrigerant adjustments are needed because of length of line, refer to the Charging Charts and Superheat values in the unit's Service Facts.

Charge by weight through the gauge port on the liquid line.

Installation

Notes:

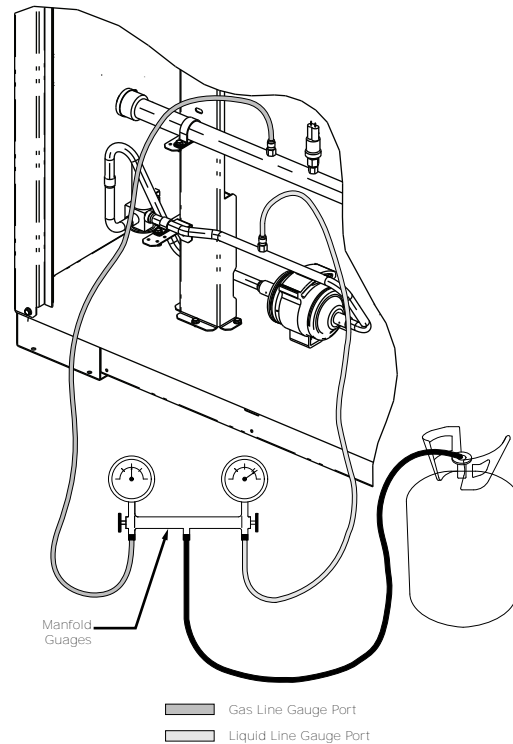
- R-410A should only be charged in the liquid state.
- When possible, always charge the refrigerant into the liquid line of the unit.
- If the entire charge can't be charged into the liquid line, the balance of the unit charge can be metered through a charging manifold set as liquid – preferably through a schrader valve into the suction line to the compressor – only while the compressor is running.
- Check and adjust superheat using the superheat table in the unit's Service Facts, then re-check charging charts to determine if charge corrections are necessary.

NOTICE

Equipment Damage!

Never charge liquid refrigerant into the suction line of the unit with the compressor off.

Figure 13. Outdoor units - refrigerant piping



Charging Levels

Table 4. Estimated charge levels at ARI rated line lengths (25 feet)

Matched Set	Refrigerant Charge		Per Circuit	
	Circuit 1	Circuit 2	Liquid Line Diameter	Vapor Line Diameter
TWA0604DA w/ TWE0764DA	16.6	N/A	0.5 (1/2")	1.375 (1 3/8")
TWA0604DD w/ TWE0724DB	11.1	12.4	0.5 (1/2")	0.875 (7/8")
TWA0724*A w/ TWE0904*A	20.4	N/A	0.5 (1/2")	1.375 (1 3/8")
TWA0724*D w/ TWE0724*B	11.0	11.0	0.5 (1/2")	0.875 (7/8")
TWA0764DA w/ TWE0764DA	16.5	N/A	0.625 (5/8")	1.375 (1 3/8")
TWA0764DD w/ TWE0764DB	11.7	11.7	0.5 (1/2")	1.125 (1 1/8")
TWA0904*A w/ TWE0904*A	22.2	N/A	0.625 (5/8")	1.375 (1 3/8")
TWA0904*D w/ TWE0904*B	11.8	11.8	0.5 (1/2")	1.125 (1 1/8")
TWA1014DA w/ TWE1014DA	34.7	N/A	0.5 (1/2")	1.375 (1 3/8")
TWA1014DD w/ TWE1014DB	14.0	14.0	0.5 (1/2")	1.125 (1 1/8")
TWA1204*A w/ TWE1204*A	34.7	N/A	0.5 (1/2")	1.375 (1 3/8")
TWA1204*D w/ TWE1204*B	14.0	14.0	0.5 (1/2")	1.125 (1 1/8")
TWA1564DD w/ TWE1564DB	19.2	19.9	0.5 (1/2")	1.125 (1 1/8")
TWA1804*D w/ TWE1804*B	27.2	24.5	0.5 (1/2")	1.125 (1 1/8")
TWA2014DD w/ TWE2014DB	18.6	18.4	0.625 (5/8")	1.375 (1 3/8")

Table 4. Estimated charge levels at ARI rated line lengths (25 feet) (continued)

Matched Set	Refrigerant Charge		Per Circuit	
	Circuit 1	Circuit 2	Liquid Line Diameter	Vapor Line Diameter
TWA2404*D w/ TWE2404*B	23.5	23.5	0.625 (5/8")	1.375 (1 3/8")

Notes:

1. For line lengths other than 25', please refer to the Application Guide (SS-APG008*-EN) for charge levels, oil addition and line sizes.
2. For additional support with line lengths or refrigerant charge, refer to the Application Guide or contact Product Support.
3. TWA0604DA and TWA0724*A need a reducer for vapor line. (1.375 to 1.125) (1 3/8" to 1 1/8").
4. TWA0604DD and TWA0724*D need a reducer for vapor line (1.125 to 0.875) (1 1/8" to 7/8").

Liquid Charging

This procedure is accomplished with the unit operating. Electrical connections must be complete. Do not proceed until the system is ready to operate.

Note: *The compressor access panel must be installed when the unit is running and being charged. Manifold hoses must be routed through refrigerant gauge access hole(s). See "Dimensional Data," p. 11 for specific locations.*

⚠ WARNING

Live Electrical Components!

Failure to follow all electrical safety precautions when exposed to live electrical components could result in death or serious injury. When it is necessary to work with live electrical components, have a qualified licensed electrician or other individual who has been properly trained in handling live electrical components perform these tasks.

1. Turn on power to the unit. Allow the system to run for 15 minutes to stabilize operating conditions.
2. Measure airflow across the indoor coil. Compare the measurements with the fan performance data in the Data/Submittal or Service Facts. Once proper airflow is established, compare discharge pressure and liquid temperature to the charging charts. Add or remove refrigerant (liquid only) as required to obtain correct discharge pressure and liquid temperature.
3. Check suction line superheat and condenser sub-cooling to ensure the unit is operating properly.
4. Disconnect all power to the unit.

Important: *If the unit is charged and left without power until a later date, the crankcase heater should be energized for a minimum of 8 hours prior to powering the compressor(s).*

⚠ WARNING

Hazardous Voltage w/Capacitors!

Failure to disconnect power and discharge capacitors before servicing could result in death or serious injury.

Disconnect all electric power, including remote disconnects and discharge all motor start/run capacitors before servicing. Follow proper lockout/tagout procedures to ensure the power cannot be inadvertently energized. For variable frequency drives or other energy storing components provided by Trane or others, refer to the appropriate manufacturer's literature for allowable waiting periods for discharge of capacitors. Verify with a CAT III or IV voltmeter rated per NFPA 70E that all capacitors have discharged.

For additional information regarding the safe discharge of capacitors, see PROD-SVB06-EN.*

5. Remove the charging system from the unit.
6. Replace all panels.

Electrical Wiring

⚠ WARNING

Proper Field Wiring and Grounding Required!

Failure to follow code could result in death or serious injury.

All field wiring **MUST** be performed by qualified personnel. Improperly installed and grounded field wiring poses FIRE and ELECTROCUTION hazards. To avoid these hazards, you **MUST** follow requirements for field wiring installation and grounding as described in NEC and your local/state/national electrical codes.

Field wiring consists of providing power supply to the unit, installing the system indoor thermostat and providing low voltage system interconnecting wiring. Access to electrical connection locations is shown in "Dimensional Data," p. 11. Determine proper wire sizes and unit protective fusing requirements by referring to the unit nameplate and/or the unit Service

Installation

Facts. Field wiring diagrams for accessories are shipped with the accessory.

Unit Power Supply

The installer must provide line voltage circuit(s) to the unit main power terminals as shown by the unit wiring diagrams (available through e-Library or by contacting a local sales office) or field wiring. Power supply must include a disconnect switch in a location convenient to the unit. Ground the unit according to local codes and provide flexible conduit if codes require and/or if vibration transmission may cause noise problems.

Important: All wiring must comply with applicable local and national (NEC) codes. Type and location of disconnect switches must comply with all applicable codes.

⚠ WARNING

Proper Field Wiring and Grounding Required!

Failure to follow code could result in death or serious injury.

All field wiring **MUST** be performed by qualified personnel. Improperly installed and grounded field wiring poses **FIRE** and **ELECTROCUTION** hazards. To avoid these hazards, you **MUST** follow requirements for field wiring installation and grounding as described in NEC and your local/state/national electrical codes.

NOTICE

Use Copper Conductors Only!

Failure to use copper conductors could result in equipment damage as the equipment was not designed or qualified to accept other types of conductors.

Low Voltage Wiring

Mount the indoor thermostat, zone sensor, or Night Setback Panel (NSB) in accordance with the corresponding thermostat installation instructions. Install color-coded, weather-proof, multi-wire cable according to the field wiring schematics (see "Field Wiring," p. 25).

ReliaTel Controls

Wiring shown with dashed lines is to be furnished and installed by the customer. All customer supplied wiring

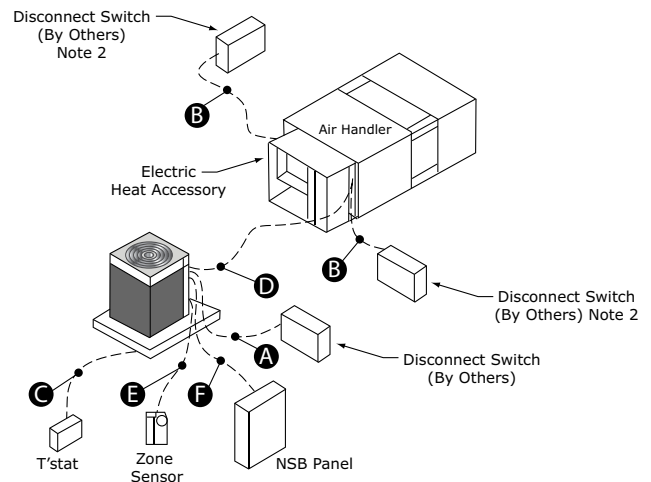
must be copper only and must conform to NEC and local electrical codes. Codes may require line of sight between disconnect switch and unit.

Notes:

1. When electric heater accessory is used, single point power entry or dual point power entry is field optional. Single point power entry option is through electric heater only.
2. ***Choose only one of the following; Thermostat, Zone Sensor, or NSB Panel.

Important: For the EDC switch to be functional and thereby facilitate reliable unit operation, make the EDC connections from the indoor to the outdoor control boxes.

Figure 14. ReliaTel jobsite connections



- A. 3 power wires, line voltage for 3 phase, (2 power wires for single phase)
- B. 3 power wires, line voltage for 3 phase, (2 power wires for single phase)
- C. Heat Pump thermostat: 5 to 8 wires depending on stages of electric heat
- D. 3 to 7 wires depending on type of outdoor unit(s)
- E. Zone Sensor: 4 to 10 wires depending on zone sensor model^(a)
- F. Night Setback Panel: 7 wires

^(a) For SZVAV air handlers: 4 additional wires are required (2 of which require twisted pair or shielded wire) in order to make connections between ReliaTel boards in the condenser and air handler.

Field Wiring

Figure 15. Night setback panel field wiring

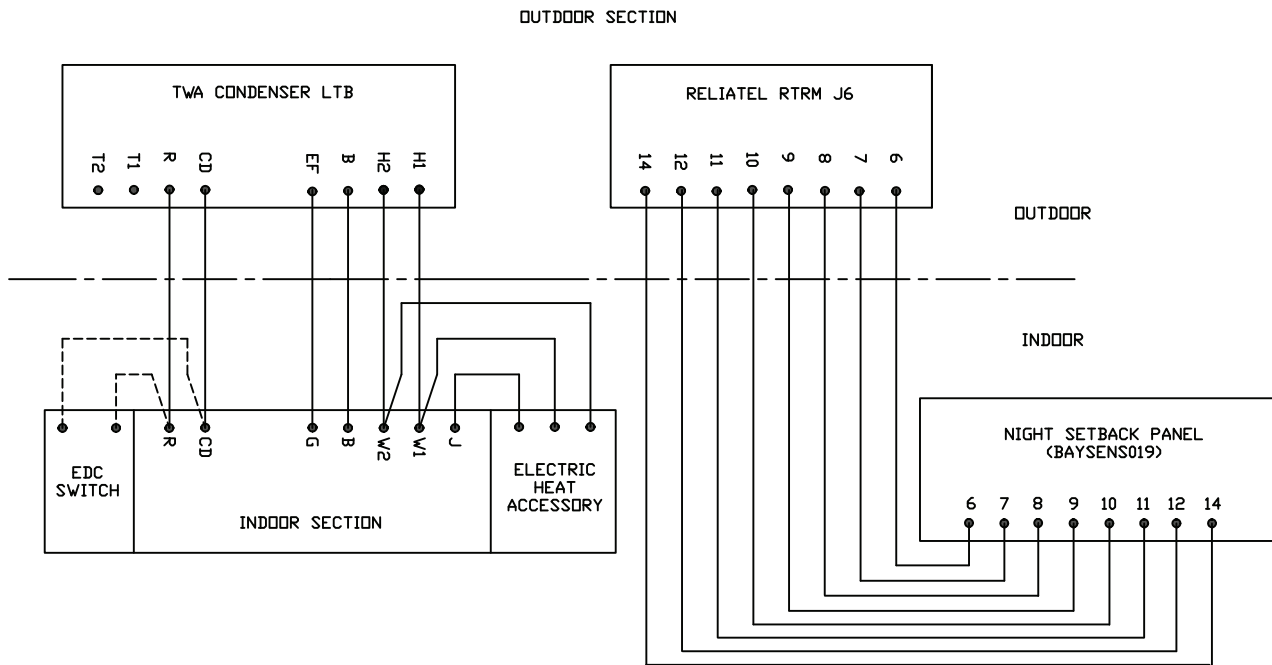
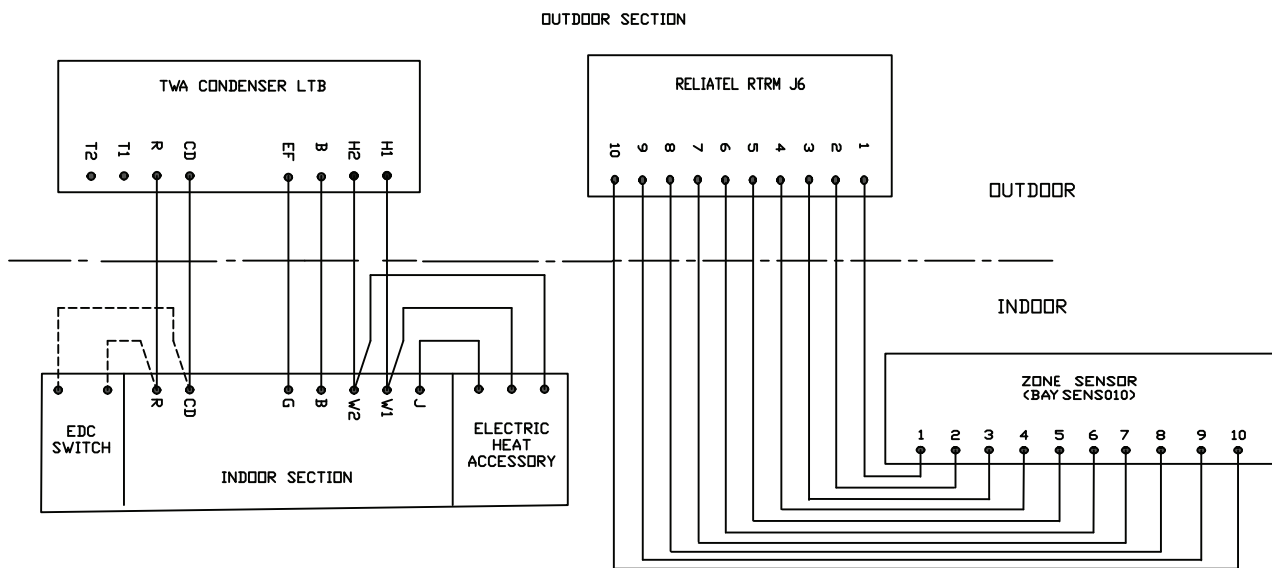
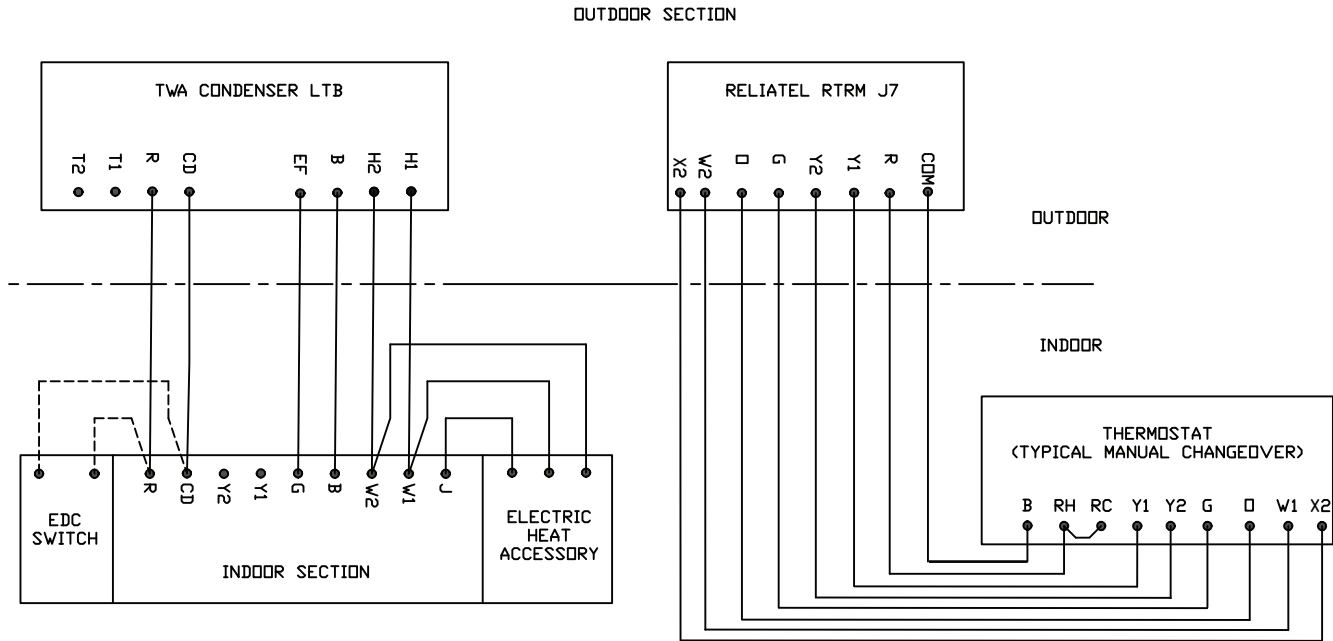


Figure 16. Zone sensor field wiring



Installation

Figure 17. Thermostat field wiring



Refrigerant Circuit

Figure 18. Typical split system heat pump - cooling - refrigerant circuit

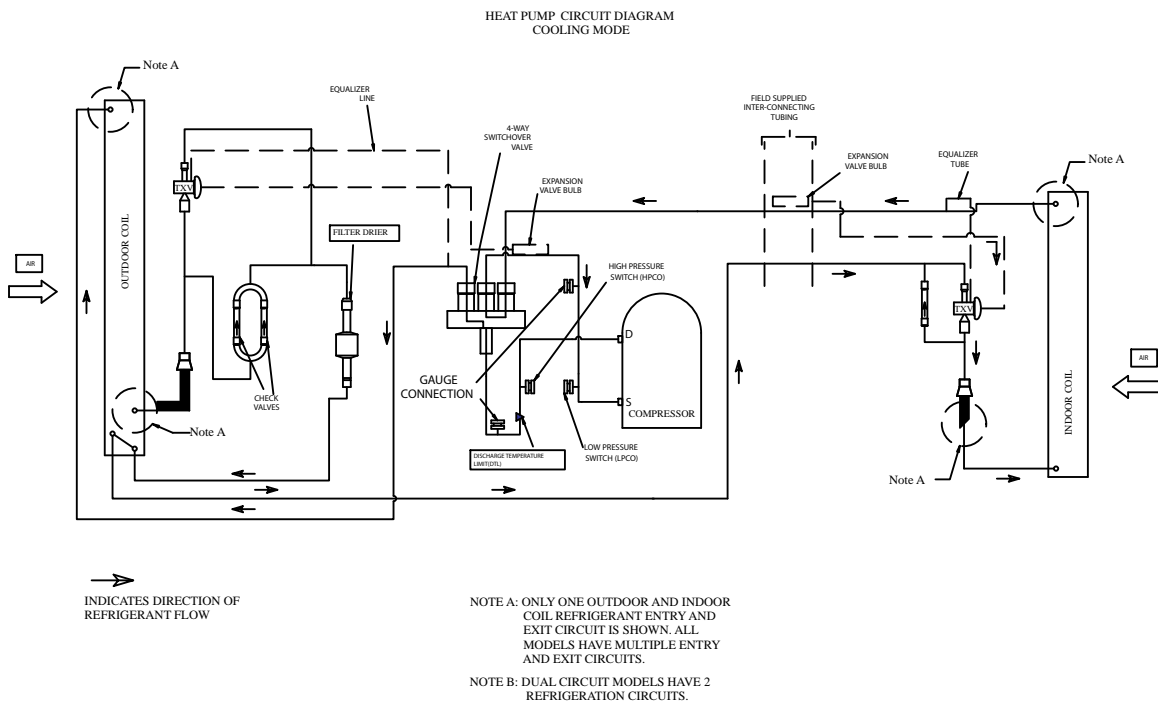
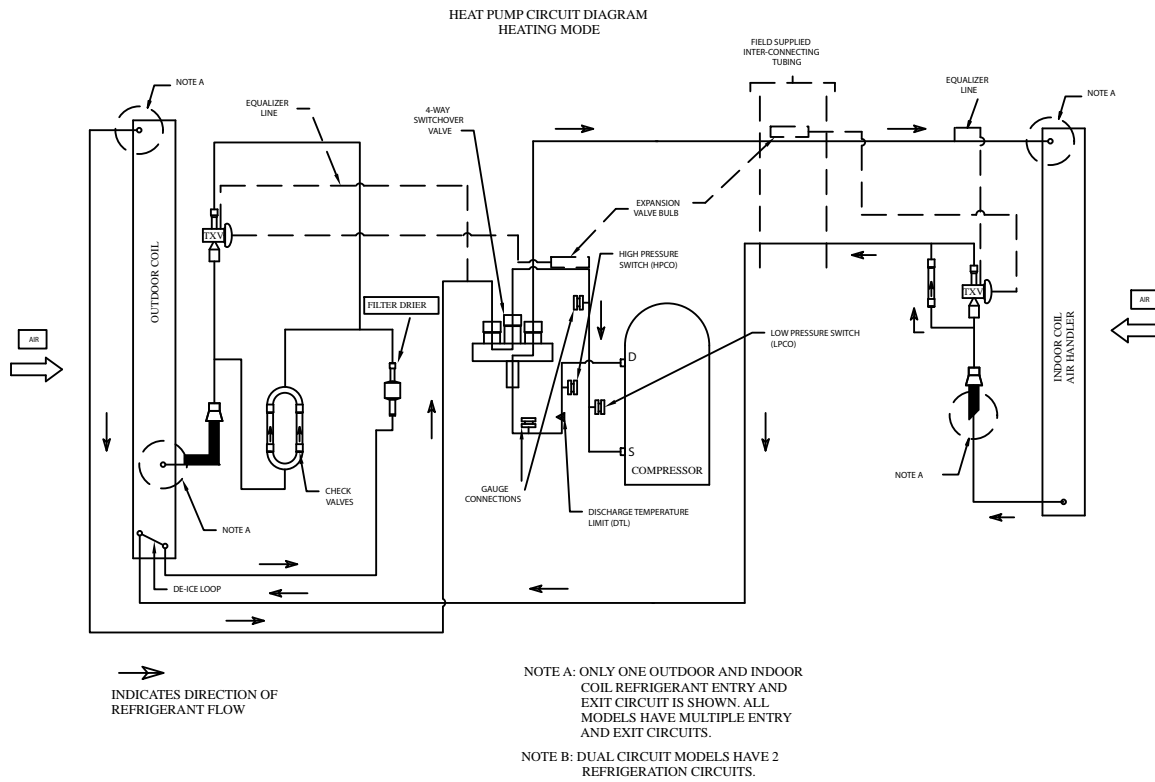


Figure 19. Typical split system heat pump - heating - refrigerant circuit



Pre-Start

Control Circuit Features

Note: Not all of these features may be required for your unit, check electrical schematic.

Discharge Temperature Limit (DTL)

The control's sensor is located on the discharge line. This device will shut off the compressor and the outdoor fan(s) if the discharge temperature exceeds the DTL setting. Once the discharge temperature has returned to normal, the compressor will cycle back on.

Evaporator Defrost Control (EDC)

This control is located in the Air Handler. The control's sensing tube is embedded vertically in the evaporator coil, near the center. This device will stop the compressor if the indoor coil temperature drops below its setting. The indoor air will still circulate across the coil bringing the temperature of the coil back up to the cut-in temperature of the evaporator defrost control.

Low Pressure Cut-Out (LPCO)

This control's sensor is located in the suction (gas) line, near the compressor. This control will stop the compressor and the outdoor fans if suction pressure drops below the Low Pressure Cut-Out setting. Once the suction pressure has returned to normal, the compressor and outdoor fans will cycle back on.

High Pressure Cut-Out (HPCO)

This control's sensor is located in the discharge line. This device will shut off the compressor and the outdoor fan(s) if the discharge pressure exceeds the High Pressure Cut-Out's setting. Once the discharge pressure has returned to normal, the compressor will cycle back on.

⚠ WARNING

Prevent Injury!

Due to agency safety requirements, no schrader core is to be installed beneath the HPCO. Removal of the HPCO without evacuating the system charge could cause injury and release of refrigerant.

Internal Overload Protector (IOL)

This device is embedded in the compressor. It will shut off the compressor if the discharge temperature of the compressor exceeds its design trip temperature.

Note: The IOL will put the compressor back in operation once the compressor motor heat has dropped below the trip setting; however, a check of the refrigerant and electrical systems should be made to determine the cause and be corrected.

Startup

ReliaTel™ Controls

The ReliaTel™ Control is a microelectronic control feature, which provides operating functions that are significantly different than conventional Electromechanical units. The ReliaTel™ Refrigeration Module (RTRM) uses proportional/integral control algorithms to perform specific unit functions that govern the unit operation in response to application conditions.

The RTRM provides compressor anti-short cycle (ASC) timing functions through minimum “Off” and “On” timing to increase reliability, performance and to maximize unit efficiency. Upon power initialization, the RTRM performs self-diagnostic checks to insure that all internal controls are functioning. It also checks the configuration parameters against the components connected to the system. The system LED located on the RTRM module is turned “On” within one second after power-up if all internal operations are correct.

The heating and cooling cycles of the heat pump are automatic for Heat and Cool functions when using an optional automatic changeover thermostat (TS).

The fan switch on the optional automatic changeover thermostat can be placed in either the **ON** position, causing continuous evaporator (indoor) fan operation, or the **AUTO** position causing fan operation to coincide with heating or cooling run cycles. (In **AUTO** position, the fan switch automatically changes to Heat or Cool in response to sufficient room temperature change.)

Terminology

The following terms and acronyms may be used in this section.

ASC	Anti-Short Cycle Timer
CC	Compressor Contactor
CCH	Crankcase Heater
CF	Outdoor Fan Capacitor
CHR	Crankcase Heater Relay

COMM	Communication Interface Module
CPR	Compressor
CTS	Coil Temperature Sensor
DTL	Discharge Temperature Limit Switch
EDC	Evaporator Defrost Control Switch
FTB	Outdoor Fan Terminal Block
HPC	High Pressure Cutout Switch
HTB	High Voltage Terminal Block
LPC	Low Pressure Cutout Switch
LTB	Low Voltage Terminal Board
OAS	Outdoor Air Temperature Sensor
ODF	Outdoor Fan Relay
ODM	Outdoor Fan Motor
PM	Phase Monitor
RTRM	ReliaTel™ Refrigeration Module
SOV	Switchover Valve
TNS	Transformer

Functions and Features

These subsections describe the following key heat pump functions and features:

- Processing Activated When the Disconnect Switch is in **ON** Position
- Mechanical Heat
- Auxiliary Heat
- Emergency Heat
- Cooling
- Demand Defrost

Processing Activated When the Disconnect Switch is in the ON Position

The following table lists the processing that occurs given the stated condition.

Condition	Resulting Operations
If the disconnect switch is in the ON position...	1. Current is supplied to the compressor crankcase heater(s) (CCH) through the normally closed contacts of the crankcase heater relay (CHR) when the compressor is not running.
	2. The phase monitor (PM) is powered.
	3. The phase monitor (PM) looks at the incoming power to verify that there is no reversed phase, no phase imbalance, and no loss of phase. If the phase monitor detects any of these three conditions, it will shut off control voltage.
	4. The control transformer (TNS) is powered.
	5. The ReliaTel™ control board (RTRM) is powered and performs self-diagnostic checks to insure that all internal controls are functioning.
	6. The ReliaTel™ control board (RTRM) checks the configuration parameters against the components connected to the system.
	7. The system LED located on the RTRM module is turned ON within one second after power-up if all internal operations are correct.
	8. The communications board (COMM) is powered if installed.
	9. The indoor thermostat (TS) is powered.

Mechanical Heat

In Heat mode the switchover valve (SOV) is turned **OFF**. When a request for heating occurs, the control system turns **ON** the mechanical heat (compressors) to perform heating. Dual circuit heat pumps are factory configured to have 2-step mechanical heating enabled (RTRM J4-3 tied to ground).

Note: 6, 7.5 and 10 ton dual circuit units will have 1-step mechanical heating.

The staging sequence depends on the type of mechanical heating that is enabled.

- If 1-Step mechanical heating is enabled (RTRM J4-3 not tied to ground), the unit will stage according to [Table 7, p. 32](#), as a result of the proportional/integral control algorithms.
- Units with 2-step mechanical heating will stage according to [Table 8, p. 32](#), as a result of the proportional/integral control algorithms.

With mechanical heating, when a heat request is turned **ON**, the Indoor Fan request is turned **ON**. When the heat request is turned **OFF**, the Indoor Fan request is turned **OFF** after a specified delay (60 seconds on all dual-compressor units and 80 seconds on all single compressor units). See [Table 5, p. 31](#), [Table 6, p. 32](#), [Table 7, p. 32](#), and [Table 8, p. 32](#) in this document for the staging, sequence, and control.

Auxiliary Heat

Auxiliary Heat is factory disabled on all Odyssey units (Jumper placed between J2-1 and J2-2 RTRM inputs). If configured (Jumper wire cut or removed between J2-1 and J2-2 on RTRM) and installed, Auxiliary Heat is enabled or disabled by Smart Recovery.

Smart Recovery

Smart Recovery dictates that if the Active Zone Temperature is making a recovery using only mechanical heating toward the setpoint at a rate of at least 6°F/hour (0.1°F/minute), the electric heat is disabled. If Smart Recovery is not disabling electric heat, an approximate 9 minute stage-up delay (plus or minus a few minutes) is provided for each stage to allow time for recovery to begin. Stages of electric heat are enabled and energized as necessary to meet heating demand. When the request for Auxiliary Heat is removed, the Indoor Fan request is turned **OFF** at the same time as the Electric Heat Stages. See [Table 5, p. 31](#), [Table 6, p. 32](#), [Table 7, p. 32](#), and [Table 8, p. 32](#) for the staging, sequence, and control.

All split system units are also configured from the factory for only 1-Stage of Electric Heat (Jumper placed between J1-3 and J1-6 RTRM inputs). To enable two stages of Electric Heat, cut or remove the jumper between J1-3 and J1-6 RTRM inputs.

Emergency Heat

When Emergency Heat mode is requested and Auxiliary Electric Heat is configured and installed, only the Auxiliary Electric Heat will be turned **ON** to satisfy the Heat request. Mechanical heat will be held **OFF**. When the request for Emergency Heat is initiated, the Indoor Fan request is turned **ON** 1 second before the electric heat stages are activated. See [Table 5, p. 31](#), [Table 6, p. 32](#), [Table 7, p. 32](#), and [Table 8, p. 32](#) for the staging, sequence, and control.

Cooling

With a request for Cooling, the RTRM stages the circuits and control normally for single and dual stage

cooling applications. If the unit is configured with a zone sensor, switchover valve 1 (SOV1) and switchover valve 2 (SOV2) are energized for the duration of the Cooling mode and do not change states until the unit either enters **OFF** mode or transitions to Heat mode. If the unit is controlled with a thermostat, SOV1 and SOV2 are energized while the thermostat W1/O signal output to the RTRM is active.

The outdoor fans (ODF) will turn **ON** and **OFF** with the compressors. Circuit 1 fan cycles with compressor 1 and circuit 2 fan will cycle with compressor. If a compressor is turned **OFF**, the anti-short cycle timer (ASC) will hold the compressor **OFF** for 3 minutes. See [Table 5, p. 31](#), [Table 6, p. 32](#), [Table 7, p. 32](#), and [Table 8, p. 32](#) for the staging, sequence, and control.

Demand Defrost

When power is first applied to the unit, the first demand-defrost cycle will be initiated based on a cumulative run time of exactly 30 minutes only at the required conditions. The cumulative run time at the required conditions is tracked separately for each compressor.

Shortly after completion of the first defrost cycle, the system control calculates the temperature difference between the outdoor coil and outdoor air, using the result as an indicator of unit performance at dry coil conditions.

Conditions Triggering the Defrost Cycle

Over time, as moisture and frost accumulate on the coil, the coil temperature will drop, increasing the temperature difference. When the temperature difference is large enough, a defrost cycle is initiated. Demand Defrost is initiated when the outdoor air temperature (OAS) is below 52°F and the outdoor coil temperature (CTS) is below 33°F.

Single and Dual Circuits

When a circuit enters Defrost mode, the compressor will remain energized, the associated outdoor fan

(ODF) will de-energize, the associated switchover valve (SOV) output will energize, and the first stage of Auxiliary Heat energizes.

On dual circuit units, the opposite circuit's state will remain unchanged if a defrost cycle has not been initiated on that circuit. Each circuit will enter defrost independently based on its associated Outdoor Coil Temperature Sensor (CTS), the Outdoor Air Temperature Sensor (OAS), and its total accumulated run time.

Note: Demand Defrost for 6, 7.5 and 10 ton Dual circuit units will operate as for single circuit units.

Termination of the Defrost Cycle

A circuit will leave defrost, during normal conditions, once the outdoor coil temperature reaches the outdoor air temperature + 47°F which must be above 57°F and not greater than 72°F. Termination of the defrost cycle includes a "Soft Start" delay of 5 seconds for the switchover valve (SOV) where the outdoor fans (ODF) are turned on 5 seconds before the switchover valve (SOV) is returned to the heating position to help smooth the transition.

Behavior of Switchover Valves

The switchover valves (SOV) will both be energized during cooling mode and will be de-energized during Heat or **OFF** mode. However, during a defrost cycle, only the circuit that requires a defrost cycle will energize its switchover valve (SOV). For thermostat control, if a thermostat is requesting for the switchover (SOV) to be energized or de-energized, both switchover valve (SOV) outputs will follow the thermostat request (unless a circuit is in a defrost cycle).

Defrost Configuration Facts

Units are configured from the factory to have Independent Circuit defrost (RTRM input J9-3 tied to ground with RTRM input J1-5 OPEN).

Table 5. Heat pump operation with thermostat

Inputs							Outputs		
Y1	Y2	G	W1	W2	O	X2	Cool	Heat1	Indoor Fan
ON	OFF	Don't Care	Don't Care	OFF	HEAT	OFF	OFF	Stage 1	ON
OFF	ON	Don't Care	Don't Care	OFF	HEAT	OFF	OFF	Stage 2	ON
ON	ON	Don't Care	Don't Care	OFF	HEAT	OFF	OFF	Stage 1 + Stage 2	ON
ON	OFF	Don't Care	Don't Care	ON	HEAT	OFF	OFF	Stage 1 + Auxiliary	ON
OFF	ON	Don't Care	Don't Care	ON	HEAT	OFF	OFF	Stage 2 + Auxiliary	ON

Startup

Table 5. Heat pump operation with thermostat (continued)

Inputs							Outputs		
Y1	Y2	G	W1	W2	O	X2	Cool	Heat1	Indoor Fan
ON	ON	Don't Care	Don't Care	ON	HEAT	OFF	OFF	Stage 1 + Stage 2 + Auxiliary	ON
Don't Care	Don't Care	Don't Care	Don't Care	Don't Care	Don't Care	ON	OFF	Em Heat	ON

Note: Stage 1 = Circuit 1 and Stage 2 = Circuit 2

Table 6. Heat pump operation with a zone sensor with lead/lag enabled

Heating Request	Circuit Output
0 (None)	All Off
1	Circuit 1 + Circuit 2 ^(a)
2	Circuit 2 + Circuit 1
3	Auxiliary Heat 1
4	Auxiliary Heat 2
0 (None)	All Off

Table 6. Heat pump operation with a zone sensor with lead/lag enabled (continued)

Heating Request	Circuit Output
1	Circuit 2 + Circuit 1
2	Circuit 1 + Circuit 2
3	Auxiliary Heat 1
4	Auxiliary Heat 2

^(a) Circuit 2 applies only to the dual compressor models.

Table 7. Heat pump control (1-step mechanical heating)

Active Unit Mode	Stage	Indoor Fan	Compressor	Auxiliary Heat 1	Auxiliary Heat 2	Switchover Valve 1	Switchover Valve 2 ^(a)
Heat/Off	Off	Off	Off	Off	Off	Off	Off
Heat	Stage 1	On	Both Compressors	Off	Off	Off	Off
Heat	Auxiliary 1	On	Both Compressors	On	Off	Off	Off
Heat	Auxiliary 2	On	Both Compressors	On	On	Off	Off
Emergency Heat	Stage 1	On	Off	On	Off	Off	Off
Emergency Heat	Stage 2	On	Off	On	On	Off	Off
Heat	Defrost	On	Both Compressors	On	Off	On ^(b)	On ^(b)
Cool	Don't Care	Off	Off	Off	Off	On	On

^(a) Only units configured as an independent circuit heat pump will control the switchover valve 2 output.

^(b) On units with independent circuits, only the circuit whose conditions are correct for defrost will enter defrost mode and energize the switchover valve. The other circuit's switchover valve will remain in its previous state until it has a defrost request or until the unit mode changes.

Table 8. Heat pump control (2-step mechanical heating)

Active Unit Mode	Stage	Indoor Fan	Compressor	Auxiliary Heat 1	Auxiliary Heat 2	Switchover Valve 1	Switchover Valve 2 ^(a)
Heat/Off	Off	Off	Off	Off	Off	Off	Off
Heat	Stage 1	On	Compressor 1	Off	Off	Off	Off
Heat	Stage 2	On	Both Compressors	Off	Off	Off	Off

Table 8. Heat pump control (2-step mechanical heating) (continued)

Active Unit Mode	Stage	Indoor Fan	Compressor	Auxiliary Heat 1	Auxiliary Heat 2	Switchover Valve 1	Switchover Valve 2 ^(a)
Heat	Auxiliary 1	On	Both Compressors	On	Off	Off	Off
Heat	Auxiliary 2	On	Both Compressors	On	On	Off	Off
Emergency Heat	Stage 1	On	Off	On	Off	Off	Off
Emergency Heat	Stage 2	On	Off	On	On	Off	Off
Heat	Defrost	On	Both Compressors	On	Off	On ^(b)	On ^(b)
Cool	Don't Care	Off	Off	Off	Off	On	On

Note: This table does not apply to TWA0604DD, 0724*D, 0764DD, 0904*D, 1014DD, or 1204*D, as these models do not use 2-step mechanical heating.

^(a) Only units configured as an independent circuit heat pump will control the switchover valve 2 output.

^(b) On units with independent circuits, only the circuit whose conditions are correct for defrost will enter defrost mode and energize the switchover valve. The other circuit's switchover valve will remain in its previous state until it has a defrost request or until the unit mode changes.

Service Test Modes for ReliaTel™ Controls

Test Modes

Upon power initialization, the RTRM performs self-diagnostic checks to ensure that all internal controls are functional. It also checks the configuration parameters against the components connected to the system. The system LED located on the RTRM module is turned **“On”** within one second of power-up if internal operation is okay.

Use one of the following **“Test”** procedures to bypass some time delays and to start the unit at the control panel. Each step of unit operation can be activated individually by temporarily shorting across the **“Test”** terminals for 2 to 3 seconds. The system LED located on the RTRM module will blink when the test mode has been initiated. The unit can be left in any **“Test”** step for up to one hour before it will automatically terminate, or it can be terminated by opening the main power disconnect switch. Once the test mode has been terminated, the system LED will glow continuously and the unit will revert to the **“System”** control.

There are three methods in which the **“Service Test”** can be cycled at LTB-Test 1 (T1) and LTB-Test 2 (T2).

Step Test Mode

This method initiates the different components of the unit, one at a time, by temporarily shorting across the two test terminals for 2 to 3 seconds.

For the initial start-up of the unit, this method allows the technician to cycle a component **“On”** and have up to one hour to complete the check. Service Test Mode will be ignored if a short is present across Test 1 and Test 2 at start-up.

Resistance Test Mode

This method can be used for start-up when a decade box for variable resistance outputs is available. This method initiates the different components of the unit, one at a time, when a specific resistance value is placed across the two test terminals. The unit will remain in the specific test mode for approximately one hour even though the resistance is left on the test terminals.

Table 9. Test mode states for SZVAV independent circuit heat pump units with auxiliary electric heat

TEST STEP	MODE	FA-N	VFD COMMAND	COMP 1	COMP 2	HEAT 1	HEAT 2	SO-V1	SO-V2	OHMS
1	FAN ON	ON	58% (0 - 2.8 VDC)	OFF	OFF	OFF	OFF	OFF	OFF	2.2K
2	COOL 1	ON	86% (3.8 - 7.7 VDC)	ON	OFF	OFF	OFF	ON	ON	4.7K
3	COOL 2	ON	100% (5.6 - 10 VDC)	ON	ON	OFF	OFF	ON	ON	6.8K
4	HEAT 1	ON	100% (5.6 - 10 VDC)	ON	OFF	OFF	OFF	OFF	OFF	10K
5	HEAT 2	ON	100% (5.6 - 10 VDC)	ON	ON	OFF	OFF	OFF	OFF	15K
6	Heat 3	ON	100% (5.6 - 10 VDC)	ON	ON	ON	OFF	OFF	OFF	22K
7	Heat 4	ON	100% (5.6 - 10 VDC)	ON	ON	ON	ON	OFF	OFF	27K
8	Defrost	ON	100% (5.6 - 10 VDC)	ON	ON	ON	OFF	ON	ON	33K
9	Emergency Heat	ON	100% (5.6 - 10 VDC)	OFF	OFF	ON	ON	OFF	OFF	47K

Auto Test Mode

This method is not recommended for start-up due to the short timing between individual component steps. This method initiates the different components of the unit, one at a time, when a fixed jumper is installed across the test terminals.

The unit will start the first test step and change to the next step every 30 seconds. At the end of the test mode, control of the unit will automatically revert to the applied **“System”** control method. For unit test steps, test modes, and step resistance values to cycle the various components, refer to [Table 9, p. 34](#).

Troubleshooting

Troubleshooting ReliaTel™ Controls

⚠ WARNING

Live Electrical Components!

Failure to follow all electrical safety precautions when exposed to live electrical components could result in death or serious injury.

When it is necessary to work with live electrical components, have a qualified licensed electrician or other individual who has been properly trained in handling live electrical components perform these tasks.

The RTRM has the ability to provide the service personnel with some unit diagnostics and system status information.

Before turning the main power disconnect switch “Off,” follow the steps below to check the ReliaTel™ Refrigeration Module (RTRM). All diagnostics & system status information stored in the RTRM will be lost when the main power is turned “Off”.

To prevent injury or death from electrocution, it is the responsibility of the technician to recognize this hazard and use extreme care when performing service procedures with the electrical power energized.

Note: The J6 & J7 screw terminals must be tightened in order to accurately measure voltage in the required steps.

1. Verify that the system LED on the RTRM is burning continuously. If the LED is lit, go to Step 3.
2. If the LED is not lit, verify that 24 VAC is present between J1-1 and J1-2. If 24 VAC is present, proceed to Step 3. If 24 VAC is not present, check the unit main power supply, check transformer (TNS1). Proceed to Step 3 if necessary.
3. Utilizing “Method 1,” p. 35 or “Method 2,” p. 36 in the System Status Checkout Procedure section, check the following:
 - System status
 - Heating status
 - Cooling status

Note: If a System failure is indicated, proceed to Step 4. If no failures are indicated, proceed to Step 5.
4. If a System failure is indicated, recheck Step 1 and Step 2. If the LED is not lit in Step 1, and 24 VAC is present in Step 2, then the RTRM has failed. Replace the RTRM.
5. If no failures are indicated, use one of the TEST mode procedures described in the “Service Test Modes chapter,” p. 34 to start the unit. This procedure will allow you to check all of the RTRM

outputs, and all of the external controls (relays, contactors, etc.) that the RTRM outputs energize, for each respective mode. Proceed to Step 6.

6. Step the system through all of the available modes, and verify operation of all outputs, controls, and modes. If a problem in operation is noted in any mode, you may leave the system in that mode for up to one hour while troubleshooting. Refer to the sequence of operations for each mode, to assist in verifying proper operation. Make the necessary repairs and proceed to Step 7 and Step 8.
7. If no abnormal operating conditions appear in the test mode, exit the test mode by turning the power “Off” at the main power disconnect switch.
8. Refer to the individual component test procedures if other microelectronic components are suspect.

System Status Checkout Procedure

“System Status” is checked by using one of the following two methods:

Method 1

If the Zone Sensor Module (ZSM) is equipped with a remote panel with LED status indication, you can check the unit within the space. If the ZSM does not have LED’s, use “Method 2,” p. 36. BAYSENS010B, BAYSENS011B, BAYSENS119A, BAYSENS020A, BAYSENS021A, BAYSENS023A, BAYSENS109 and BAYSENS110 all have the remote panel indication feature. The LED descriptions are listed below.

- **LED 1 (System)**
 - “On” during normal operation.
 - “Off” if a system failure occurs or the LED fails.
 - “Flashing” indicates test mode
- **LED 2 (Heat)**
 - “On” when the heat cycle is operating.
 - “Off” when the heat cycle terminates or the LED fails.
 - “Flashing” indicates a heating failure.
- **LED 3 (Cool)**
 - “On” when the cooling cycle is operating.
 - “Off” when the cooling cycle terminates or the LED fails.
 - “Flashing” indicates a cooling failure.

The following information describes the complete listing of failure indication causes.

System Failure

Check the voltage between terminals 6 and 9 on J6, it should read approximately 32 VDC. If no voltage is present, a System failure has occurred. Refer to [Step 4](#) in the previous section for the recommended troubleshooting procedure.

Cooling Failure

1. Cooling and heating set point (slide pot) on the zone sensor has failed. Refer to the “[Programmable & Digital Zone Sensor Test](#),” p. 37.
2. Zone temperature thermistor ZTEMP on ZTS failed. Refer to the “[Programmable & Digital Zone Sensor Test](#),” p. 37.
3. CC1 or CC2 24 VAC control circuit has opened, check CC1 & CC2 coils, and any of the controls below that apply to the unit (HPC1, HPC2, DTL1, DTL2).
4. LPC1 has opened during the 3 minute minimum “on time” during 4 consecutive compressor starts, check LPC1 or LPC2 by testing voltage between the J1-8 & J3-2 terminals on the RTRM and ground. If 24 VAC is present, the LPCs have not tripped. If no voltage is present, LPCs have tripped.

Simultaneous Heat and Cool Failure

⚠ WARNING

Live Electrical Components!

Failure to follow all electrical safety precautions when exposed to live electrical components could result in death or serious injury.

When it is necessary to work with live electrical components, have a qualified licensed electrician or other individual who has been properly trained in handling live electrical components perform these tasks.

- Emergency Stop is activated.

Method 2

The second method for determining system status is done by checking voltage readings at the RTRM (J6). The system indication descriptions and the approximate voltages are listed below.

System Failure

Measure the voltage between terminals J6-9 & J6-6.

- **Normal Operation** = approximately 32 VDC
- **System Failure** = less than 1 VDC, approximately 0.75 VDC
- **Test Mode** = voltage alternates between 32 VDC & 0.75 VDC

Heat Failure

Measure the voltage between terminals J6-7 & J6-6.

- **Heat Operating** = approximately 32 VDC
- **Heat Off** = less than 1 VDC, approximately 0.75 VDC
- **Heating Failure** = voltage alternates between 32 VDC & 0.75 VDC

Cool Failure

Measure the voltage between terminals J6-8 & J6-6.

- **Cool Operating** = approximately 32 VDC
- **Cool Off** = less than 1 VDC, approximately 0.75 VDC
- **Cooling Failure** = voltage alternates between 32 VDC & 0.75 VDC

To use LED's for quick status information at the unit, purchase a BAYSENS010B ZSM and connect wires with alligator clamps to terminals 6 through 10. Connected each respective terminal wire (6 through 10) from the Zone Sensor to the unit J6 terminals 6 through 10.

Note: If the system is equipped with a programmable zone sensor, (BAYSENS119A, or BAYSENS023A), the LED indicators will not function while the BAYSENS010A is connected.

Temperature Tests

Note: These procedures are not for programmable or digital models and are conducted with the Zone Sensor Module electrically removed from the system.

Test 1 - Zone Temperature Thermistor (ZTEMP)

This component can be tested by measuring the resistance between terminals 1 and 2 on the Zone Temperature Sensor. See [Table 10, p. 36](#) for typical indoor temperatures, and corresponding resistive values.

Table 10. Typical indoor temperatures and values

Zone Temperature	Nominal Resistance
50°F or 10.0°C	19.9 Kohms
55°F or 12.8°C	17.47 Kohms
60°F or 15.6°C	15.3 Kohms
65°F or 18.3°C	13.49 Kohms
70°F or 21.1°C	11.9 Kohms
75°F or 23.9°C	10.50 Kohms
80°F or 26.7°C	9.3 Kohms
85°F or 29.4°C	8.25 Kohms
90°F or 32.2°C	7.3 Kohms

Test 2 - Cooling Set Point (CSP) and Heating Set Point (HSP)

Cool SP = Terminals 2 and 3

Range = 100 to 900 Ohms approximate

Heat SP = Terminals 2 and 5

Range = 100 to 900 Ohms approximate

Test 3 - System Mode and Fan Selection

The combined resistance of the **MODE** selection switch and the **FAN** selection switch can be measured between terminals 2 and 4 on the Zone Sensor. The possible switch combinations are listed in [Table 11, p. 37](#) with their corresponding resistance values.

Table 11. Test 3 - system mode and fan selection

Resistance Valves(Ohms)	Zone Sensor Unit/Fan Mode	Local Unit Mode	Local Fan Mode
2.32K	Off/Auto	Off	Auto
4.87K	Cool/Auto	Cool	Auto
7.68K	Auto/Auto	Auto	Auto
10.77K	Off/On	Off	On
13.32K	Cool/On	Cool	On
16.13K	Auto/On	Auto	On
19.48K	Heat/Auto	Heat	Auto
27.93K	Heat/On	Heat	On
35.0K	Emergency Heat/Auto	Emergency Heat	Auto
43.45K	Emergency Heat/On	Emergency Heat	On
Out of Range (Short)	INVALID/Short	Invalid (CV), Auto (VAV)	Invalid
Out of Range (Open)	INVALID/Open	Invalid (CV), Off (VAV)	Invalid

Test 4 - LED Indicator Test (SYS ON, HEAT, & COOL)

⚠ WARNING

Live Electrical Components!
 Failure to follow all electrical safety precautions when exposed to live electrical components could result in death or serious injury.
 When it is necessary to work with live electrical components, have a qualified licensed electrician or other individual who has been properly trained in handling live electrical components perform these tasks.

Method 1

Testing the LED using a meter with diode test function. Test both forward and reverse bias. Forward bias should measure a voltage drop of 1.5 to 2.5 volts, depending on your meter. Reverse bias will show an Over Load, or open circuit indication if LED is functional.

Method 2

Testing the LED with an analog Ohmmeter. Connect Ohmmeter across LED in one direction, then reverse the leads for the opposite direction. The LED should have at least 100 times more resistance in reverse direction, as compared with the forward direction. If

high resistance in both directions, LED is open. If low in both directions, LED is shorted.

Method 3

To test LED's with ZSM connected to unit, test voltages at LED terminals on ZSM. A measurement of 32 VDC, across an unlit LED, means the LED has failed.

Important: Measurements should be made from LED common (ZSM terminal 6 to respective LED terminal).

Programmable & Digital Zone Sensor Test

Testing Serial Communication Voltage

1. Verify 24 VAC is present between terminals J6-14 & J6-11.

⚠ WARNING

Live Electrical Components!

Failure to follow all electrical safety precautions when exposed to live electrical components could result in death or serious injury.

When it is necessary to work with live electrical components, have a qualified licensed electrician or other individual who has been properly trained in handling live electrical components perform these tasks.

2. Disconnect wires from J6-11 and J6-12. Measure the voltage between J6-11 and J6-12, should be about 32 VDC.
3. Reconnect wires to terminals J6-11 and J6-12. Measure voltage again between J6-11 and J6-12, voltage should flash high and low every 0.5 seconds. The voltage on the low end will measure about 19 VDC, while the voltage on the high end will measure from approximately 24 to 38 VDC.
4. Verify all modes of operation, by running the unit through all of the steps in [“Service Test Modes for ReliaTel Controls,”](#) p. 34.
5. After verifying proper unit operation, exit the test mode. Turn the fan on continuously at the ZSM, by pressing the button with the fan symbol. If the fan comes on and runs continuously, the ZSM is good. If you are not able to turn the fan on, the ZSM is defective.

RLCI Loss of Communications

If the RLCI loses input from the building management system, the RTRM will control in the default mode after approximately 15 minutes. If the RTRM loses the Heating and Cooling setpoint input, the RTRM will control in the default mode instantaneously. The temperature sensing thermistor in the Zone Sensor Module is the only component required for the **“Default Mode”** to operate.

Resetting Cooling and Heating Lockouts

Cooling Failures and Heating Lockouts are reset in an identical manner. [“Method 1,”](#) p. 38 explains resetting the system from the space; [“Method 2,”](#) p. 38 explains resetting the system at the unit.

Note: *Before resetting Cooling Failures and Heating Lockouts check the Failure Status Diagnostics by the methods previously explained. Diagnostics will be lost when the power to the unit is disconnected.*

Method 1

To reset the system from the space, turn the **MODE** selection switch at the zone sensor to the **OFF** position. After approximately 30 seconds, turn the **MODE** selection switch to the desired mode, i.e. **HEAT**, **COOL**, or **AUTO**.

Method 2

To reset the system at the unit, cycle the unit power by turning the disconnect switch **OFF** and then **ON**

Lockouts can be cleared through the building management system. Refer to the building management system instructions for more information.

Zone Temperature Sensor (ZTS) Service Indicator

The ZSM SERVICE LED is a generic indicator that will signal the closing of a Normally Open switch at any time, providing the Indoor Motor (IDM) is operating. This indicator is usually used to indicate an airside fan failure.

The RTRM will ignore the closing of this Normally Open switch for 2 (±1) minutes. This helps prevent nuisance SERVICE LED indications.

Maintenance

⚠ WARNING

Hazardous Voltage w/Capacitors!

Failure to disconnect power and discharge capacitors before servicing could result in death or serious injury.

Disconnect all electric power, including remote disconnects and discharge all motor start/run capacitors before servicing. Follow proper lockout/tagout procedures to ensure the power cannot be inadvertently energized. For variable frequency drives or other energy storing components provided by Trane or others, refer to the appropriate manufacturer's literature for allowable waiting periods for discharge of capacitors. Verify with a CAT III or IV voltmeter rated per NFPA 70E that all capacitors have discharged.

For additional information regarding the safe discharge of capacitors, see *PROD-SVB06*-EN*.

NOTICE

Operating Under Vacuum!

Failure to follow these instructions will result in compressor failure.

Do not operate or apply power to the compressor while under a vacuum.

Perform all of the indicated maintenance procedures at the intervals scheduled. This will prolong the life of the unit and reduce the possibility of costly equipment failure.

Monthly

Conduct the following maintenance inspections once per month.

- Check unit wiring to ensure all connections are tight and that the wiring insulation is intact.
- Inspect the condenser coils for dirt and debris. If the coils appear dirty, clean them.
- With the unit operating in the cooling mode, check the suction and discharge pressures and compare them with Pressure Curve values in unit Service Facts. Record these readings on the "Maintenance Log," p. 41.

Annually (Cooling Season)

The following maintenance procedures must be performed at the beginning of each cooling season to ensure efficient unit operation.

- Perform all of the monthly maintenance inspections.
- With the unit operating, check unit superheat and

record the reading in the "Maintenance Log," p. 41.

- Remove any accumulation of dust and/or dirt from the unit casing.
- Remove corrosion from any surface and repaint. Check the gasket around the control panel door to ensure it fits correctly and is in good condition to prevent water leakage.
- Inspect the control panel wiring to ensure that all connections are tight and that the insulation is intact.
Note: Condenser fan motors are permanently lubricated.
- Check refrigerant piping and fittings for leaks
- Inspect the condenser coils for dirt and debris. If the coils appear dirty, clean them.

Coil Cleaning

Regular coil maintenance, including annual cleaning-enhances the unit's operating efficiency by minimizing:

- compressor head pressure and amperage draw
- water carryover
- fan brake horsepower
- static pressure losses

At least once each year — or more often if the unit is located in a "dirty" environment — clean the coil using the instructions outlined below. Be sure to follow these instructions as closely as possible to avoid damaging the coils.

Tube and Fin

Note: To clean refrigerant coils, use a soft brush and a sprayer. Contact your local Parts Center for appropriate detergents.

1. Remove enough panels from the unit to gain safe access to coil.
2. Straighten any bent coil fins with a fin comb.
3. Remove loose dirt and debris from both sides of the coil with a soft brush.
4. Mix the detergent with water according to the manufacturer's instructions. If desired, heat the solution to 150° F maximum to improve its cleansing capability.
5. Pour the cleaning solution into the sprayer.
6. Spray the leaving-airflow side of the coil first; then spray the opposite side of the coil. Allow the cleaning solution to stand on the coil for five minutes.
7. Rinse both sides of the coil with cool, clean water.
8. Inspect both sides of the coil; if it still appears to be dirty, repeat Step 7 and 8.

Maintenance

9. Reinstall all of the components and panels removed in Step 1; then restore power to the unit. inadvertently bent during the cleaning process.
10. Using a fin comb, straighten any coil fins that were

Wiring Diagram Matrix

Table 12. Wiring schematics R-410A heat pump

Model Number	Ton	Voltage	Hz	Ph	Refrigerant Circuit	Schematics	Device Location Diagrams
						ReliaTel	ReliaTel
TWA0604DA	5	380-415	50	3	Single	12132174	12132182
TWA0604DD	5	380-415	50	3	Dual	12132173	12132182
TWA07243A	6	208-230	60	3	Single	12132174	12132182
TWA07244A	6	460	60	3	Single	12132174	12132182
TWA0724WA	6	575	60	3	Single	12132174	12132182
TWA0724KA	6	380	60	3	Single	12132174	12132182
TWA07243D	6	208-230	60	3	Dual	12132173	12132182
TWA07244D	6	460	60	3	Dual	12132173	12132182
TWA0724WD	6	575	60	3	Dual	12132173	12132182
TWA0764DA	6.25	380-415	50	3	Single	12132174	12132182
TWA0764DD	6.25	380-415	50	3	Dual	12132173	12132182
TWA09043A	7.5	208-230	60	3	Single	12132174	12132182
TWA09044A	7.5	460	60	3	Single	12132174	12132182
TWA0904WA	7.5	575	60	3	Single	12132174	12132182
TWA0904KA	7.5	380	60	3	Single	12132174	12132182
TWA09043D	7.5	208-230	60	3	Dual	12132173	12132182
TWA09044D	7.5	460	60	3	Dual	12132173	12132182
TWA0904WD	7.5	575	60	3	Dual	12132173	12132182
TWA0904KD	7.5	380	60	3	Dual	12132173	12132182
TWA1014DA	8.33	380-415	50	3	Single	12132174	12132182
TWA1014DD	8.33	380-415	50	3	Dual	12132173	12132182
TWA12043A	10	208-230	60	3	Single	12132174	12132182
TWA12044A	10	460	60	3	Single	12132174	12132182
TWA1204WA	10	575	60	3	Single	12132174	12132182
TWA1204KA	10	380	60	3	Single	12132174	12132182
TWA12043D	10	208-230	60	3	Dual	12132173	12132182
TWA12044D	10	460	60	3	Dual	12132173	12132182
TWA1204WD	10	575	60	3	Dual	12132173	12132182
TWA1204KD	10	380	60	3	Dual	12132173	12132182
TWA1564DD	13	380-415	50	3	Dual	12132174	12132185
TWA18043D	15	208-230	60	3	Dual	12132174	12132185
TWA18044D	15	460	60	3	Dual	12132174	12132185
TWA1804WD	15	575	60	3	Dual	12132174	12132185
TWA1804KD	15	380	60	3	Dual	12132174	12132185
TWA2014DD	16.7	380-415	50	3	Dual	12132174	12132185
TWA24043D	20	208-230	60	3	Dual	12132174	12132185
TWA24044D	20	460	60	3	Dual	12132174	12132185
TWA2404WD	20	575	60	3	Dual	12132174	12132185
TWA2404KD	20	380	60	3	Dual	12132174	12132185

Note: Wiring diagrams are available through e-Library or by contacting your local sales office.

Warranty

For Commercial Unitary Equipment Rated Under 20 Tons and Related Accessories

Products Covered — This warranty is extended by Trane, and applies to the following products:

- All packaged and split system air conditioners and heat pumps have a rated capacity of less than 20 tons.
- All packaged combinations gas/electric air conditioners having a rated capacity of less than 20 tons.
- All packaged combination gas/electric air conditioners having a rated capacity of 1.5 through 5 tons single phase electric power and used for commercial applications. (As used in this warranty, a commercial application is any application where the end purchaser uses the product for other than personal, family or household purposes.)
- All accessories for the above products which are sold by Trane and applied in accordance with Trane specifications.

Basic Warranty

The warrantor warrants for a period of twelve (12) months from the initial start-up or eighteen (18) months from date of shipment, whichever is sooner, that the products covered by this warranty (1) are free from defects in material and manufacture, and (2) have the capacities and ratings set forth in the warrantor's catalogs and bulletins. If any part of your air conditioner fails because of a manufacturing defect, Warrantor will furnish without charge the required replacement part.

Any local transportation, related service labor and diagnosis calls are not included. In addition, if the sealed motor-compressor fails because of a manufacturing defect within the second through fifth year from the date of original purchase, Warrantor will furnish without charge the required replacement compressor.

Exclusions and Limitations

The warrantor's obligations and liabilities under this warranty are limited to furnishing F.O.B. factory or warehouse at the warrantor-designated shipping point, freight allowed to Buyer's city (or port of export for shipments outside the conterminous United States) a replacement product or, at the option of the warrantor, parts for the repair of the product not conforming to this warranty and which have been returned to the warrantor.

The warrantor's warranty is conditional on the Customer providing written notice to the warrantor

within thirty (30) days of the discovery of the defect. No product shall be returned to the warrantor without the warrantor's written permission. No liability whatever shall attach to warrantor until said products have been fully paid for and then said liability shall be limited to the purchase price of the equipment shown to be defective.

The warranty does not apply to any compressor or gas-fired heat exchanger which has been repaired or altered in such manner as, in the judgement of the warrantor, affects its stability or reliability. This warranty does not cover (1) any heat exchanger which has been fired with an improper type of fuel (2) a heat exchanger which is installed in a beauty parlor, dry cleaning establishment, de-greasing plant or in any corrosive atmosphere; or (3) any heat exchanger which is not shown to be defective by the warrantor's inspection.

This warranty does not cover damage due to accident, abuse, improper use, external causes, freezing, corrosion, erosion or deterioration. Local transportation, related service labor, air filters, diagnosis calls, refrigerant and related items are not covered.

THE WARRANTY AND LIABILITY SET FORTH HEREIN ARE IN LIEU OF ALL OTHER WARRANTIES AND LIABILITIES, WHETHER IN CONTRACT OR IN NEGLIGENCE, EXPRESS OR IMPLIED, IN LAW OR IN FACT, INCLUDING IMPLIED WARRANTIES OR MERCHANTABILITY AND FITNESS FOR A PARTICULAR PURPOSE AND ANY IMPLIED WARRANTIES OTHERWISE ARISING FROM THE COURSE OF DEALING OR TRADE. IN NO EVENT SHALL THE WARRANTOR BE LIABLE FOR ANY INCIDENTAL OR CONSEQUENTIAL DAMAGES.

The warrantor makes certain further warranty protection available on an optional, extra-cost basis. Any further warranty must be in writing. If you wish further help or information concerning this warranty, contact: Trane — Warrantor, 2701 Wilma Rudolph Blvd., Clarksville, TN 37040

Commercial Equipment Rated 20 Tons and Larger and Related Accessories (Parts Only)

Products Covered — This warranty is extended by Trane, and applies only to commercial equipment rated 20 tons and larger and related accessories purchased and retained for use within the U.S.A. and Canada.

Warrantor warrants for a period of 12 months from initial start-up or 18 months from date of shipment, whichever is less, that the products covered by this warranty (1) are free from defects in material and manufacture, and (2) have the capacities and ratings

Warranty

set forth in catalogs and bulletins; provided, that no warranty is made against corrosion, erosion or deterioration.

If any part of your air conditioner fails because of a manufacturing defect, Warrantor will furnish without charge the required replacement part.

Any local transportation, related service labor and diagnosis calls are not included. In addition, if the sealed motor-compressor fails because of a manufacturing defect within the second through fifth year from the date of original purchase, Warrantor will furnish without charge the required replacement compressor.

Warrantor's obligations and liabilities under this warranty are limited to furnishing, F.O.B. factory replacement parts (or equipment at the option of Warrantor) for all Warrantor's products not conforming to this warranty. Warrantor shall not be obligated to pay for the cost of lost refrigerant. No liability whatever shall attach to Warrantor until said products have been paid for and then said liability shall be limited to the purchase price of the equipment shown to be defective.

The Warranty and Liability set forth herein are in lieu of all other warranties and liabilities, whether in contract or in negligence, express or implied, in law or in fact, including implied warranties of merchantability and fitness for particular use, and in no event shall warrantor be liable for any incidental or consequential damages

Some states do not allow limitations on how long an implied warranty lasts or do not allow the exclusion or limitation of incidental or consequential damages, so the above limitation or exclusion may not apply to you. This warranty gives you specific legal rights, and you may also have other rights which vary from state to state.

Trane — Warrantor, 2701 Wilma Rudolph Blvd.,
Clarksville, TN 37040

GW-598-4799

Exclusions And Limitations

The warrantor's obligations and liabilities under this warranty are limited to furnishing F.O.B. factory or warehouse at the warrantor-designated shipping point, freight allowed to Buyer's city (or port of export for shipments outside the conterminous United States) a

replacement product or, at the option of the warrantor, parts for the repair of the product not conforming to this warranty and which have been returned to the warrantor.

The warrantor's warranty is conditional on the Customer providing written notice to the warrantor within thirty (30) days of the discovery of the defect. No product shall be returned to the warrantor without the warrantor's written permission. No liability whatever shall attach to warrantor until said products have been fully paid for and then said liability shall be limited to the purchase price of the equipment shown to be defective.

The warranty does not apply to any compressor or gas-fired heat exchanger which has been repaired or altered in such manner as, in the judgement of the warrantor, affects its stability or reliability. This warranty does not cover (1) any heat exchanger which has been fired with an improper type of fuel (2) a heat exchanger which is installed in a beauty parlor, dry cleaning establishment, de-greasing plant or in any corrosive atmosphere; or (3) any heat exchanger which is not shown to be defective by the warrantor's inspection.

This warranty does not cover damage due to accident, abuse, improper use, external causes, freezing, corrosion, erosion or deterioration. Local transportation, related service labor, air filters, diagnosis calls, refrigerant and related items are not covered.

THE WARRANTY AND LIABILITY SET FORTH HEREIN ARE IN LIEU OF ALL OTHER WARRANTIES AND LIABILITIES, WHETHER IN CONTRACT OR IN NEGLIGENCE, EXPRESS OR IMPLIED, IN LAW OR IN FACT, INCLUDING IMPLIED WARRANTIES OR MERCHANTABILITY AND FITNESS FOR A PARTICULAR PURPOSE AND ANY IMPLIED WARRANTIES OTHERWISE ARISING FROM THE COURSE OF DEALING OR TRADE. IN NO EVENT SHALL THE WARRANTOR BE LIABLE FOR ANY INCIDENTAL OR CONSEQUENTIAL DAMAGES.

The warrantor makes certain further warranty protection available on an optional, extra-cost basis. Any further warranty must be in writing. If you wish further help or information concerning this warranty, contact: Trane — Warrantor, 2701 Wilma Rudolph Blvd., Clarksville, TN 37040



Ingersoll Rand (NYSE: IR) advances the quality of life by creating comfortable, sustainable and efficient environments. Our people and our family of brands – including Club Car®, Ingersoll Rand®, Thermo King® and Trane® – work together to enhance the quality and comfort of air in homes and buildings; transport and protect food and perishables; and increase industrial productivity and efficiency. We are a global business committed to a world of sustainable progress and enduring results.



ingersollrand.com

Ingersoll Rand has a policy of continuous product and product data improvements and reserves the right to change design and specifications without notice.

We are committed to using environmentally conscious print practices.